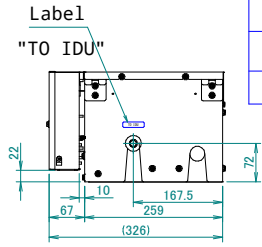
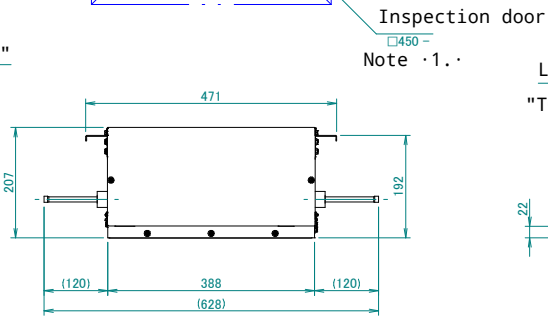
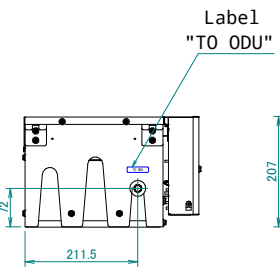
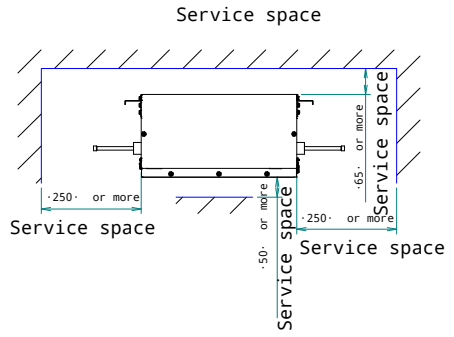
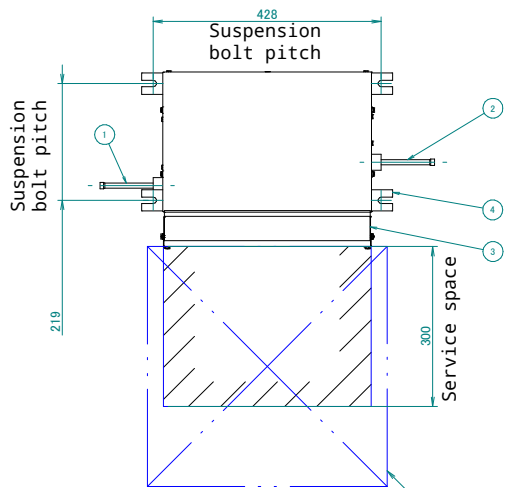


BEV2N-A



Number	Part name	Description
1	Liquid pipe connection ·ODU·	Ø ·9.5· brazing connection
2	Liquid pipe connection ·IDU·	Ø ·9.5· brazing connection
3	Switch box	See note ·2·.
4	Suspension bracket	M8~M10

Notes

1. Be sure to install an inspection door at the switch box side
2. Switch box can also be fixed on the other side of the unit
3. Minimum distance between EV unit and cassette is determined by communication cable length (max ·4.500 mm· free length from cassette)
4. Choose the installation location carefully and do not install in a sound sensitive environment (e.g living room, bed room, ...)

3D674767