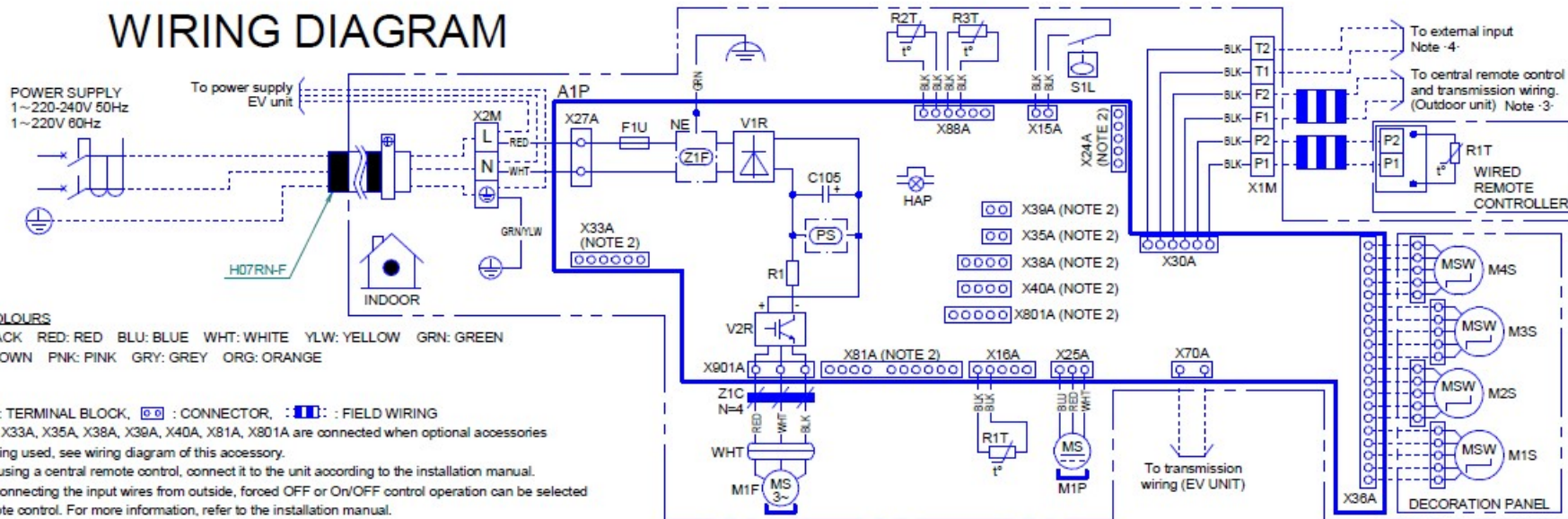


WIRING DIAGRAM



WIRE COLOURS

BLK: BLACK RED: RED BLU: BLUE WHT: WHITE YLW: YELLOW GRN: GREEN
 BRN: BROWN PNK: PINK GRY: GREY ORG: ORANGE

NOTES

1. [] : TERMINAL BLOCK, [] : CONNECTOR, [] : FIELD WIRING
2. X24A, X33A, X35A, X38A, X39A, X40A, X81A, X801A are connected when optional accessories are being used, see wiring diagram of this accessory.
3. When using a central remote control, connect it to the unit according to the installation manual.
4. When connecting the input wires from outside, forced OFF or On/OFF control operation can be selected by remote control. For more information, refer to the installation manual.

INDOOR UNIT	
A1P	PRINTED CIRCUIT BOARD (MAIN)
C105	CAPACITOR
F1U	FUSE (T, 3.15A, 250V)
HAP	FLASHING LAMP (SERVICE MONITOR: GREEN)
M1P	MOTOR (DRAIN PUMP)
M1F	MOTOR (INDOOR FAN)
NE	NOISELESS EARTH
PS	SWITCHING POWER SUPPLY
R1	RESISTOR
R1T	THERMISTOR (AIR)
R2T, R3T	THERMISTOR (COIL)
S1L	FLOAT SWITCH (DRAIN PUMP)
V1R	DIODE BRIDGE
V2R	IGBT POWER MODULE
X7A-X901A	CONNECTOR
X1M	TERMINAL BLOCK (REMOTE CONTROLLER)
X2M	TERMINAL BLOCK (POWER SUPPLY)
Z1C	FERRITE CORE
Z1F	NOISE FILTER
WIRED REMOTE CONTROLLER	
R1T	THERMISTOR (AIR)
DECORATION PANEL	
M1S-M4S	MOTOR (SWING BLADE)

