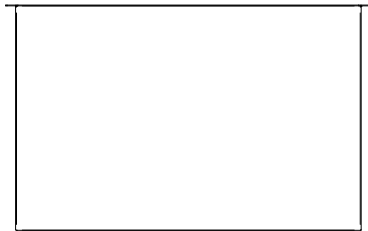
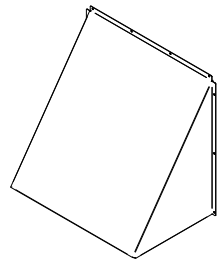
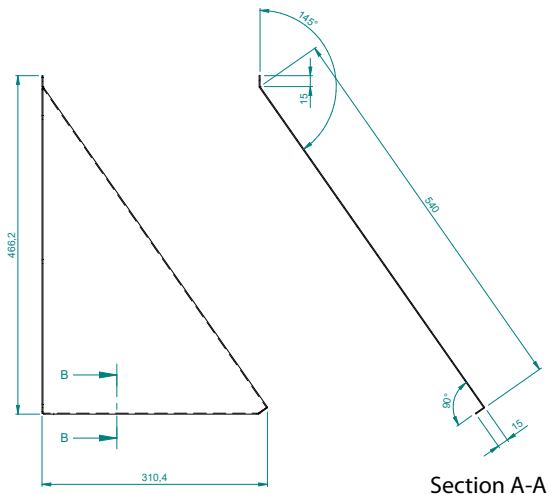
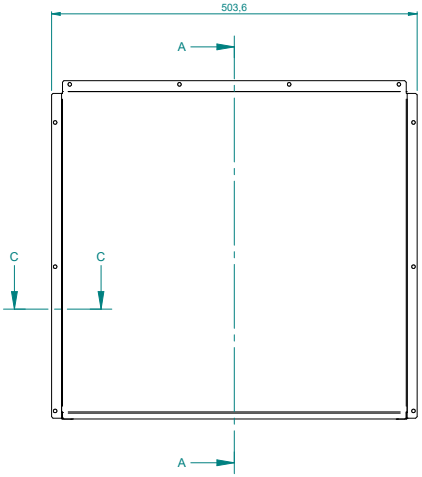
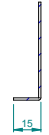


UATYARPH3
UATYARPH4



Section C-C



Section B-B

Section A-A