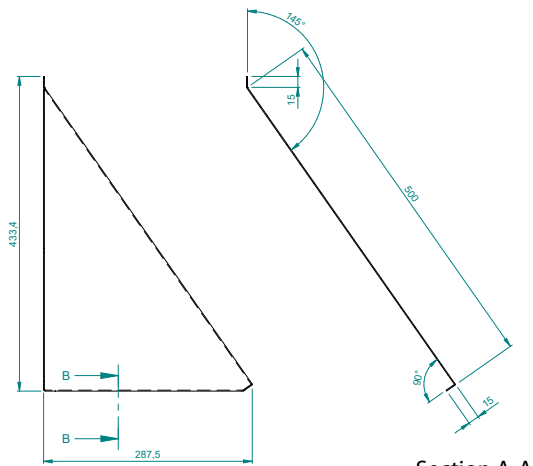
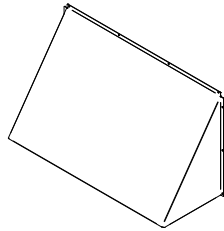
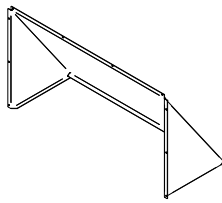
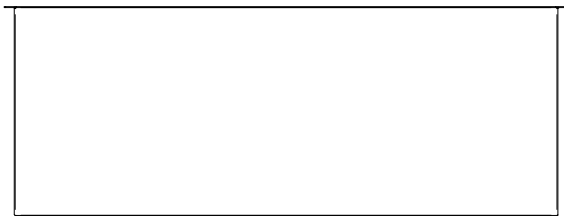
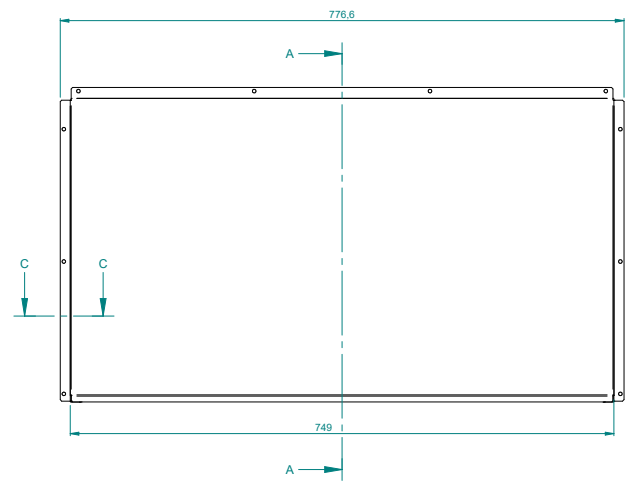
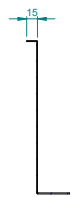


UATYARPH7  
UATYARPH8



Section A-A



Section C-C



Section B-B