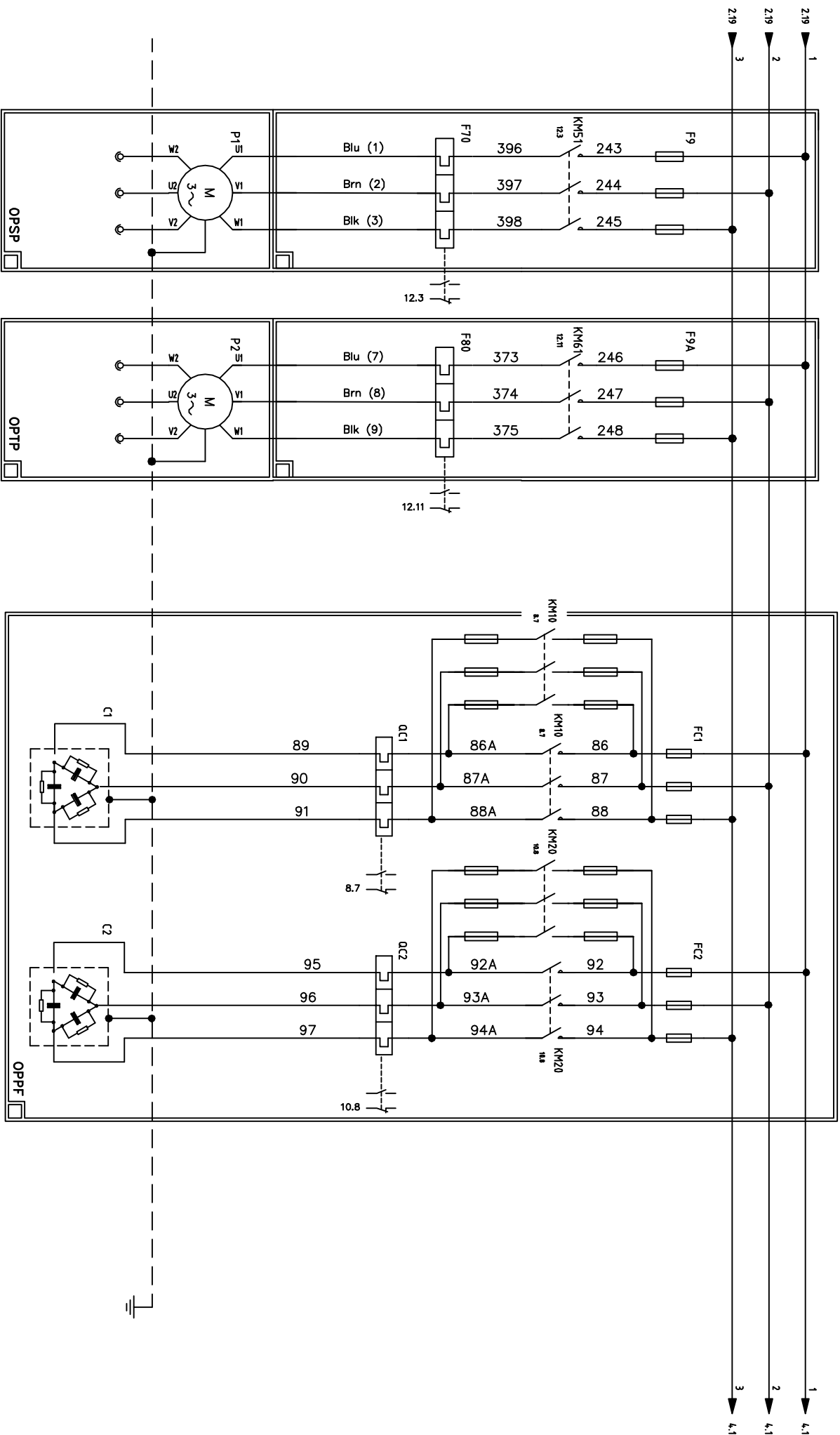
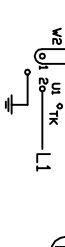
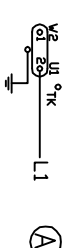
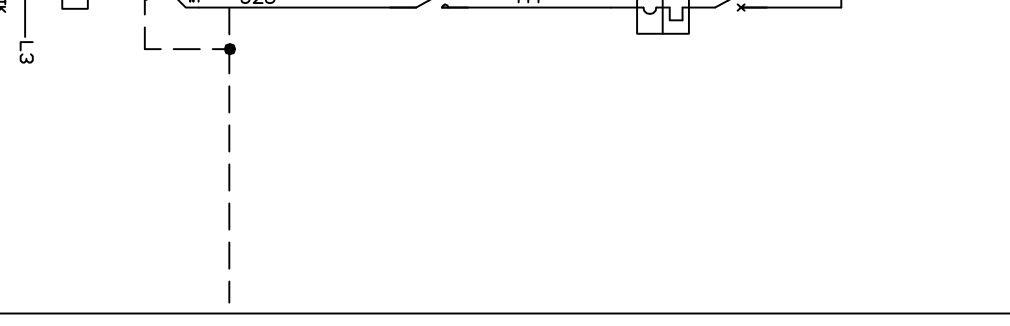
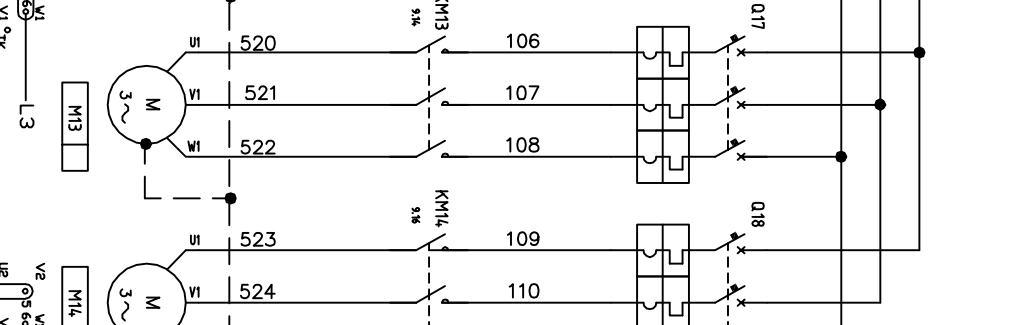
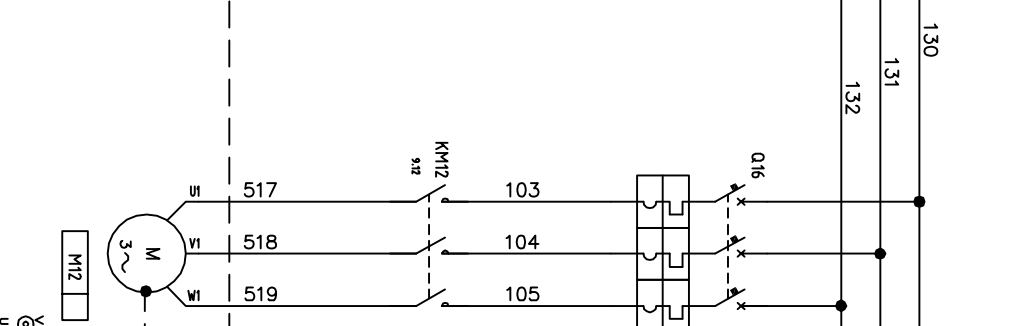
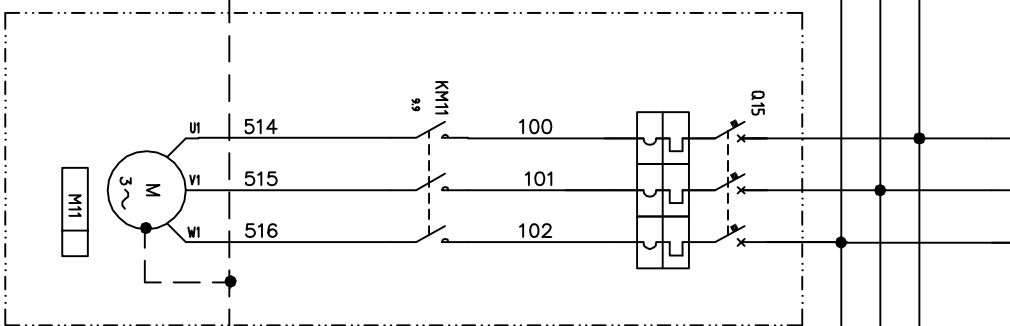
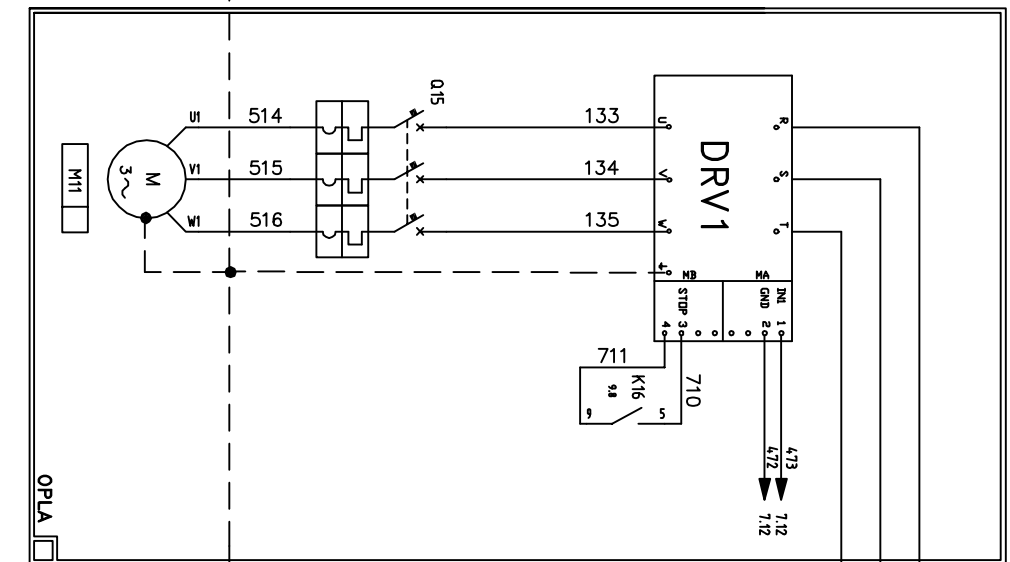
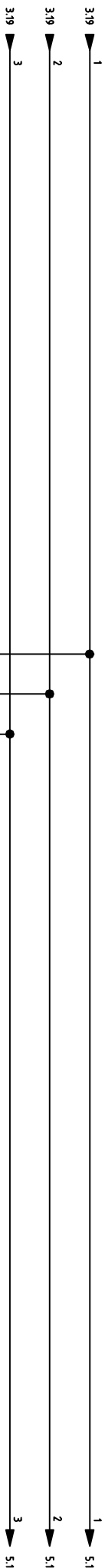
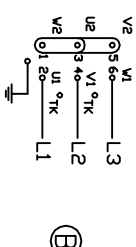
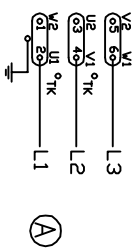
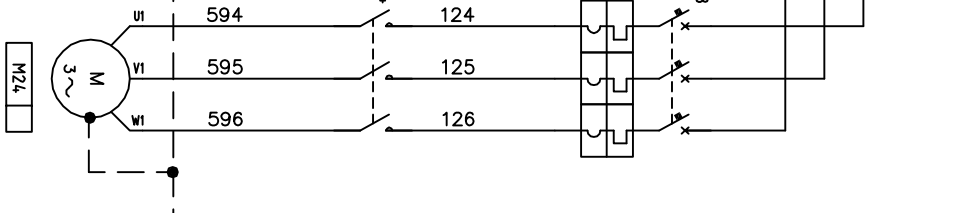
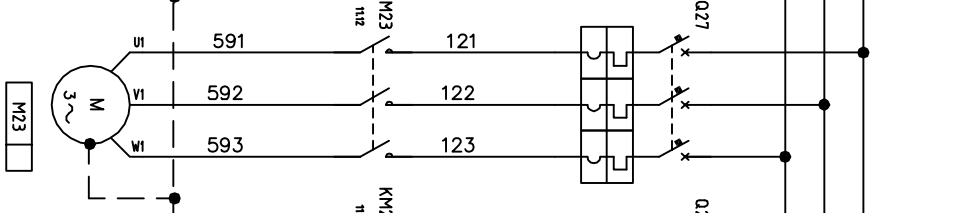
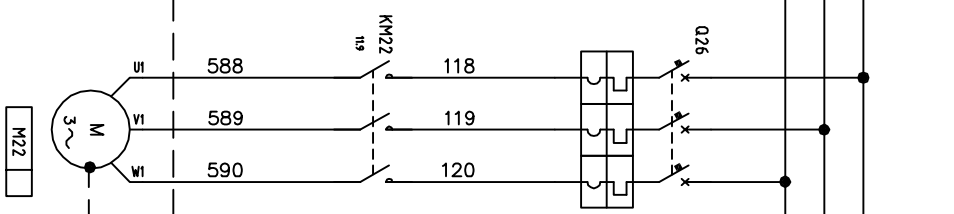
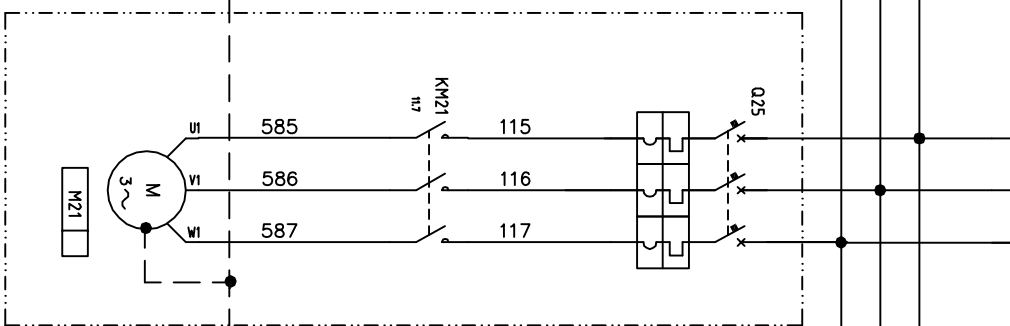
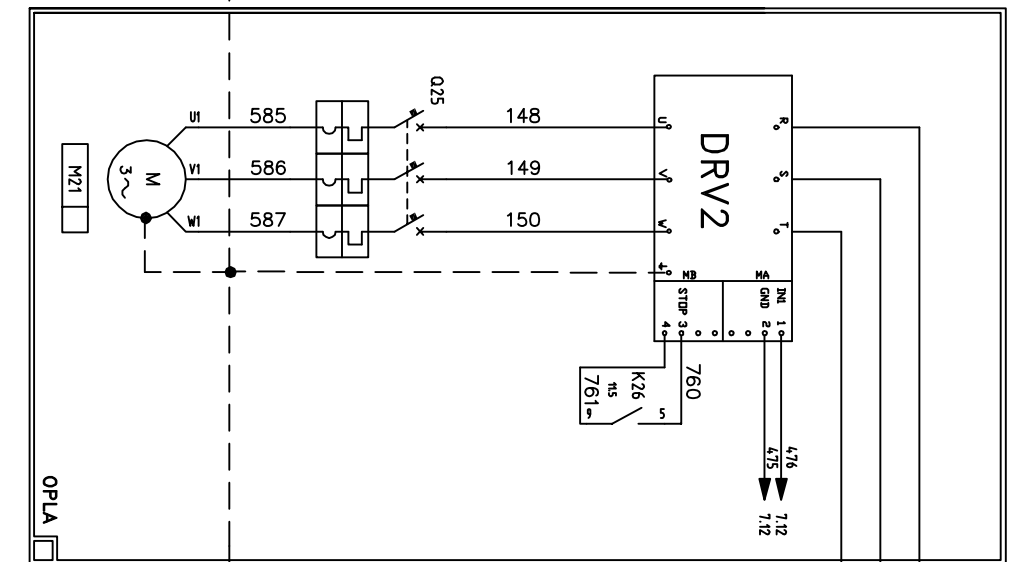
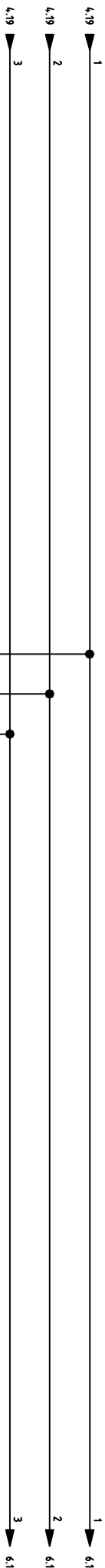


1 2 3 4 5 6 7 8 9 10 11 12 13 14 15 16 17 18 19 20





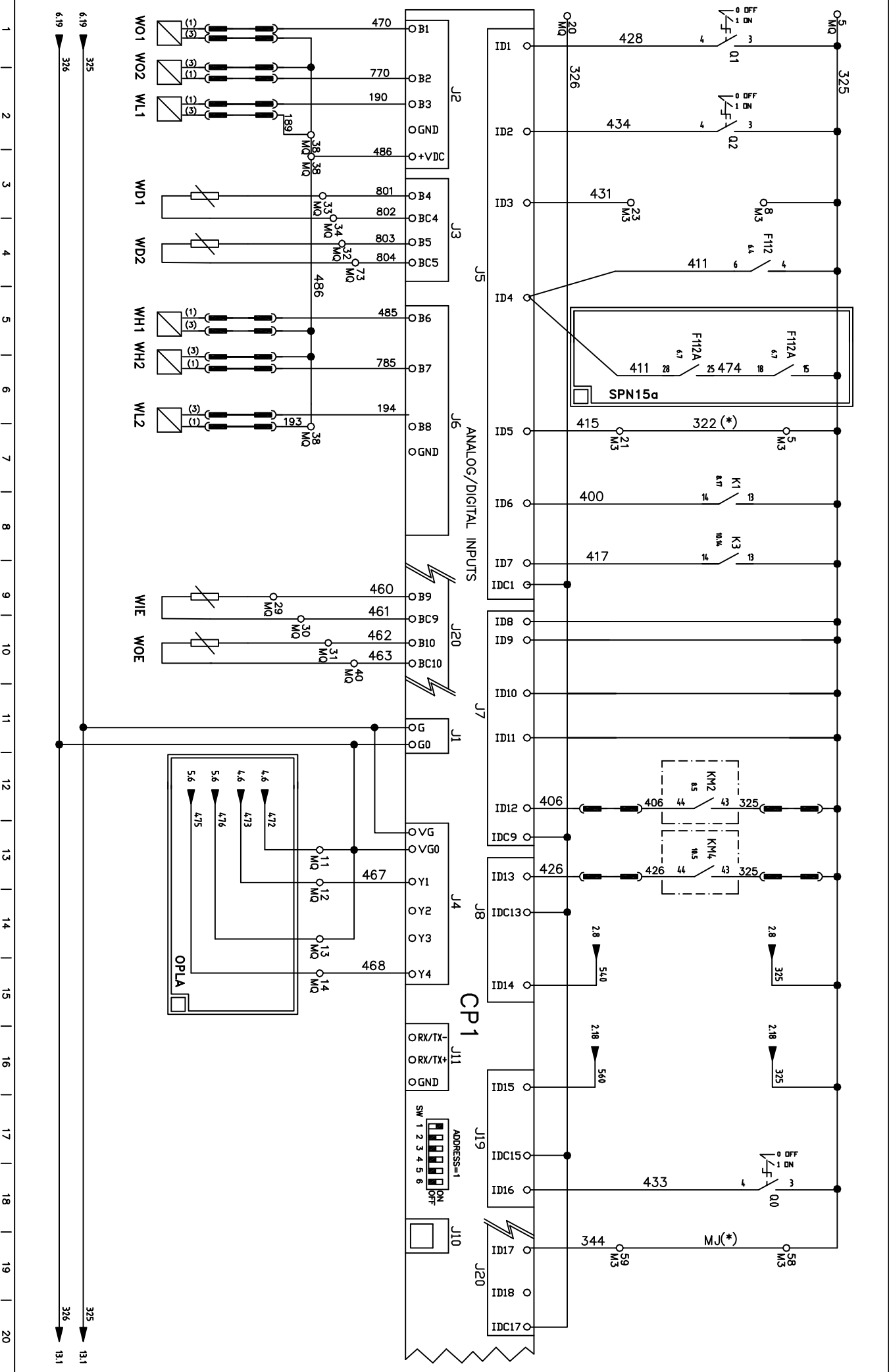
1 | 2 | 3 | 4 | 5 | 6 | 7 | 8 | 9 | 10 | 11 | 12 | 13 | 14 | 15 | 16 | 17 | 18 | 19 | 20



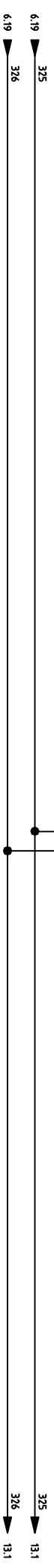
1 | 2 | 3 | 4 | 5 | 6 | 7 | 8 | 9 | 10 | 11 | 12 | 13 | 14 | 15 | 16 | 17 | 18 | 19 | 20

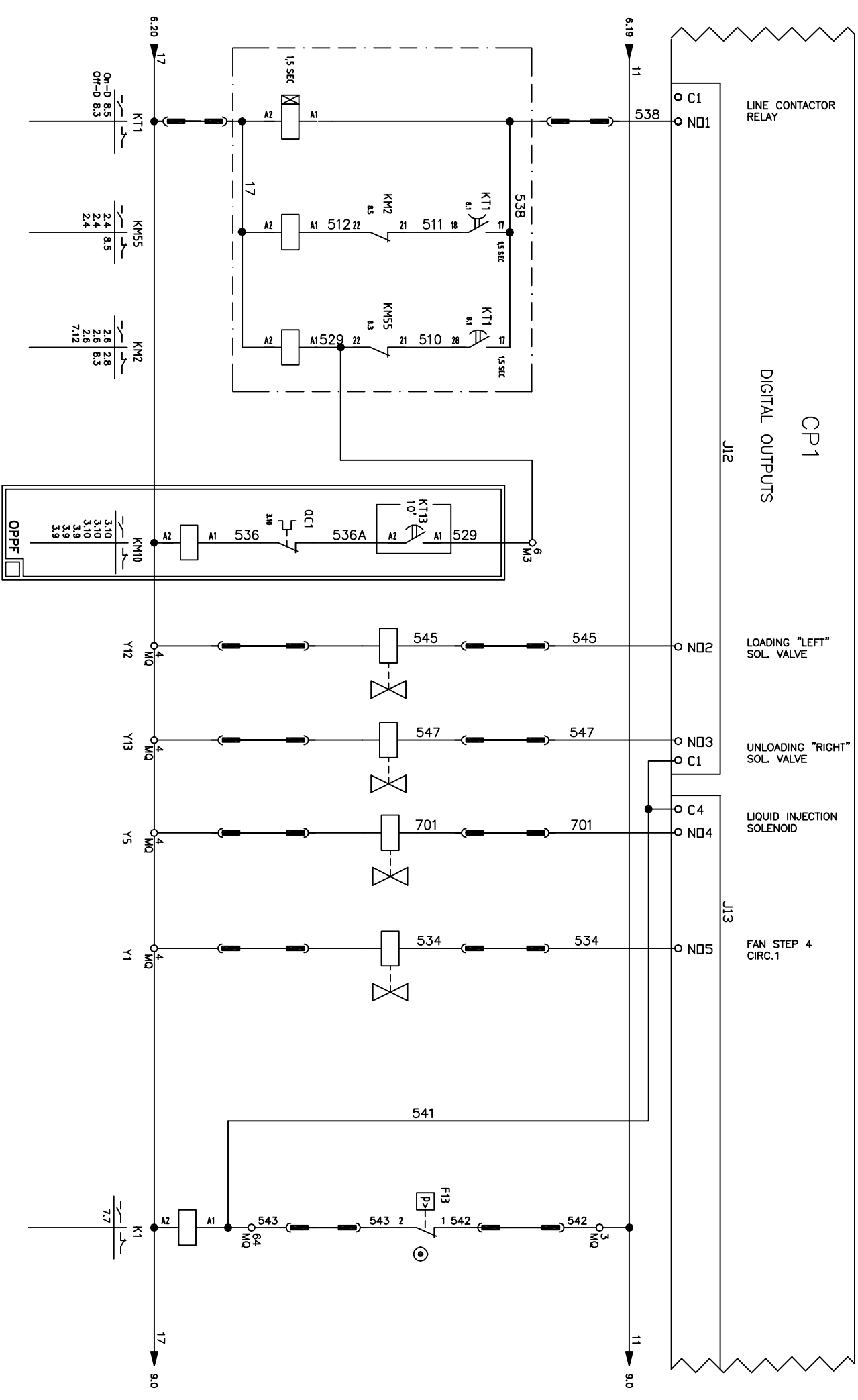


1 2 3 4 5 6 7 8 9 10 11 12 13 14 15 16 17 18 19 20



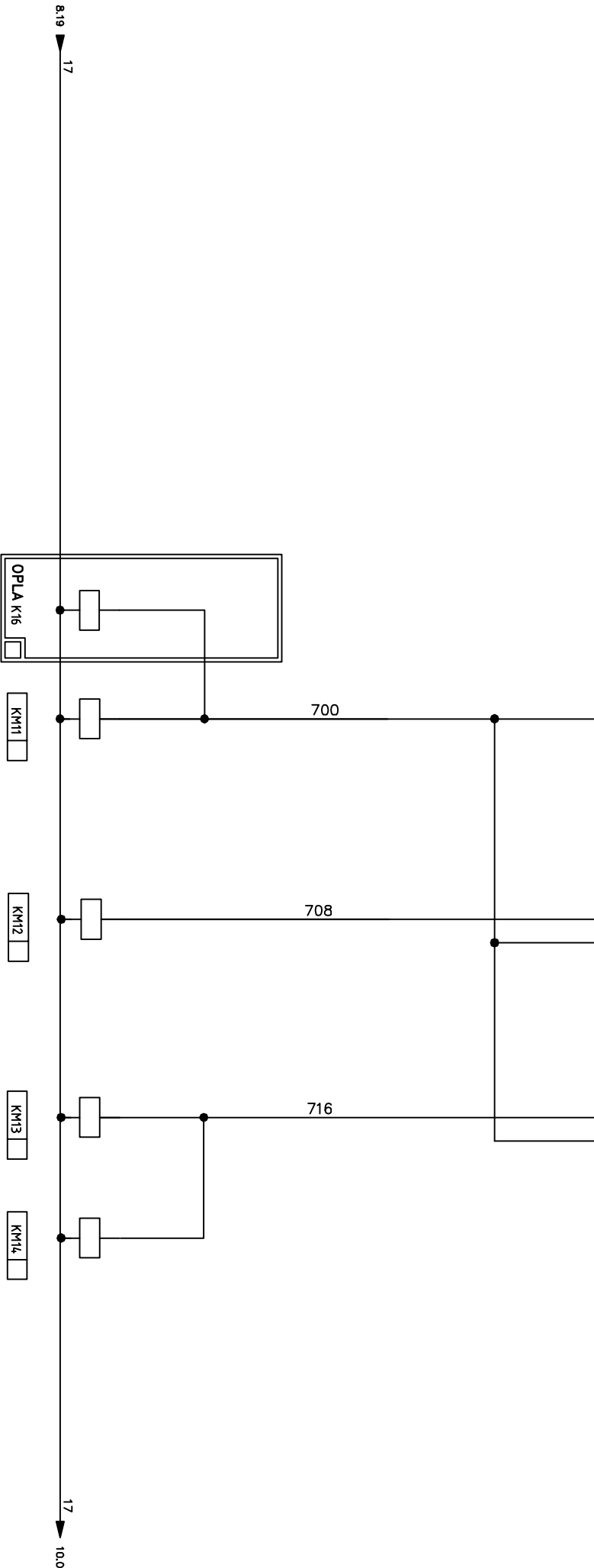
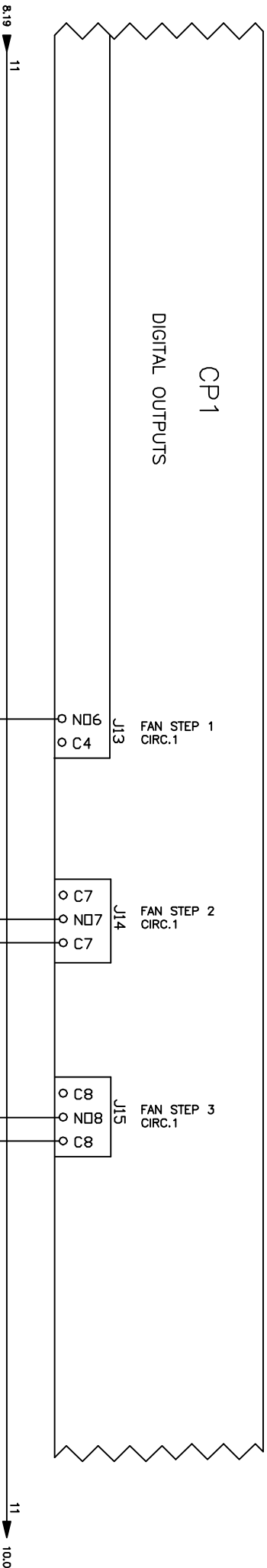
1 2 3 4 5 6 7 8 9 10 11 12 13 14 15 16 17 18 19 20



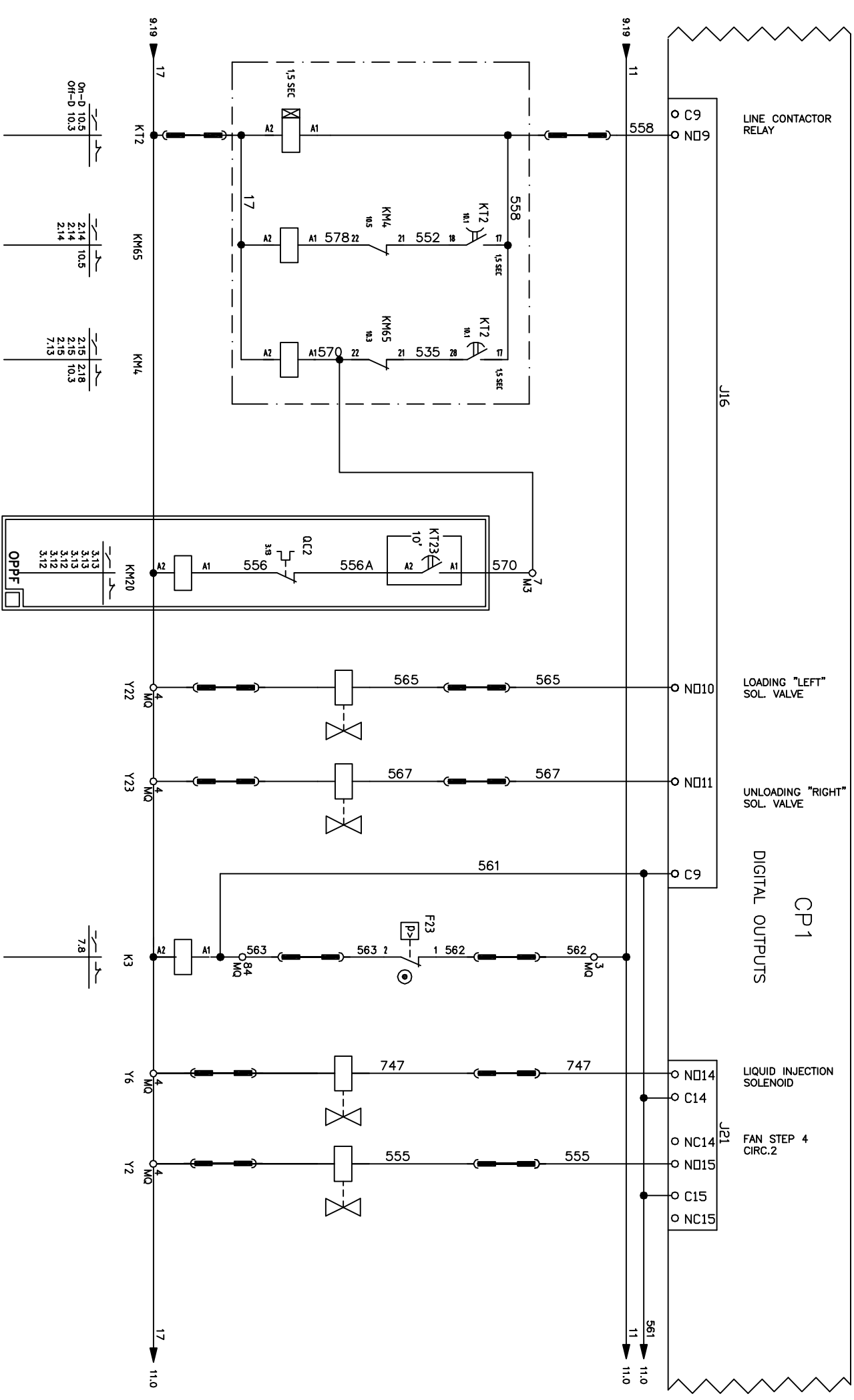


1 2 3 4 5 6 7 8 9 10 11 12 13 14 15 16 17 18 19 20

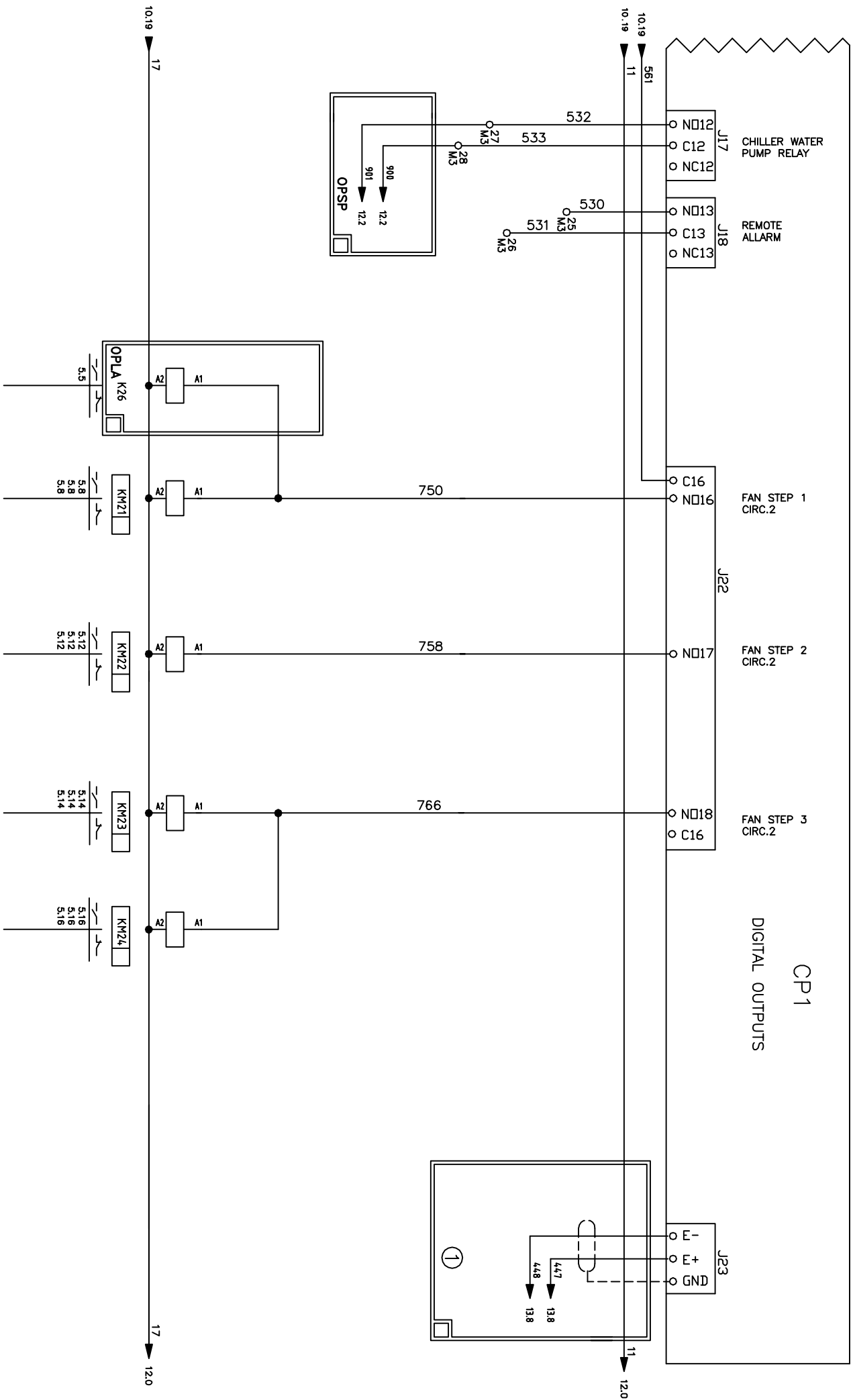
1 | 2 | 3 | 4 | 5 | 6 | 7 | 8 | 9 | 10 | 11 | 12 | 13 | 14 | 15 | 16 | 17 | 18 | 19 | 20

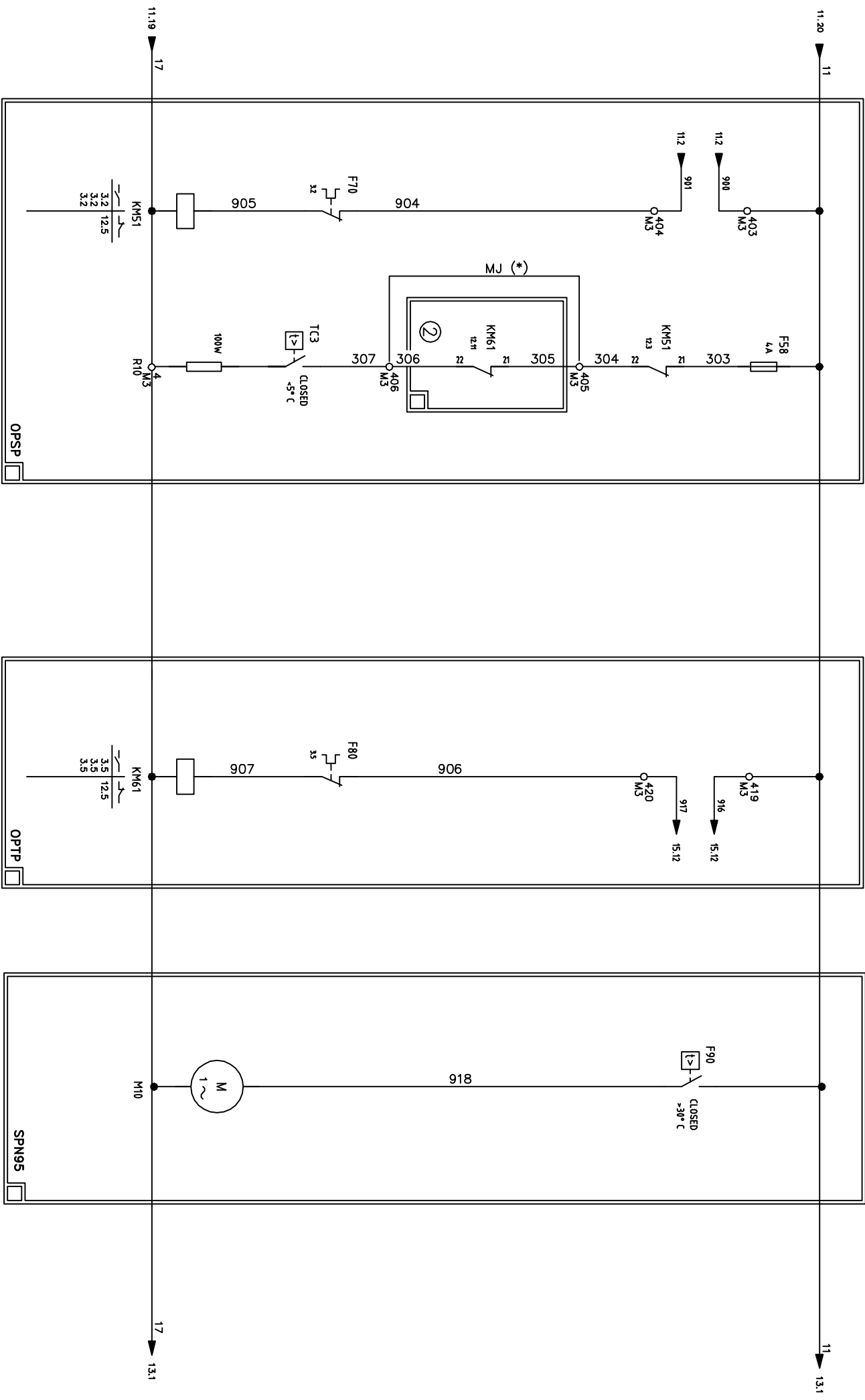


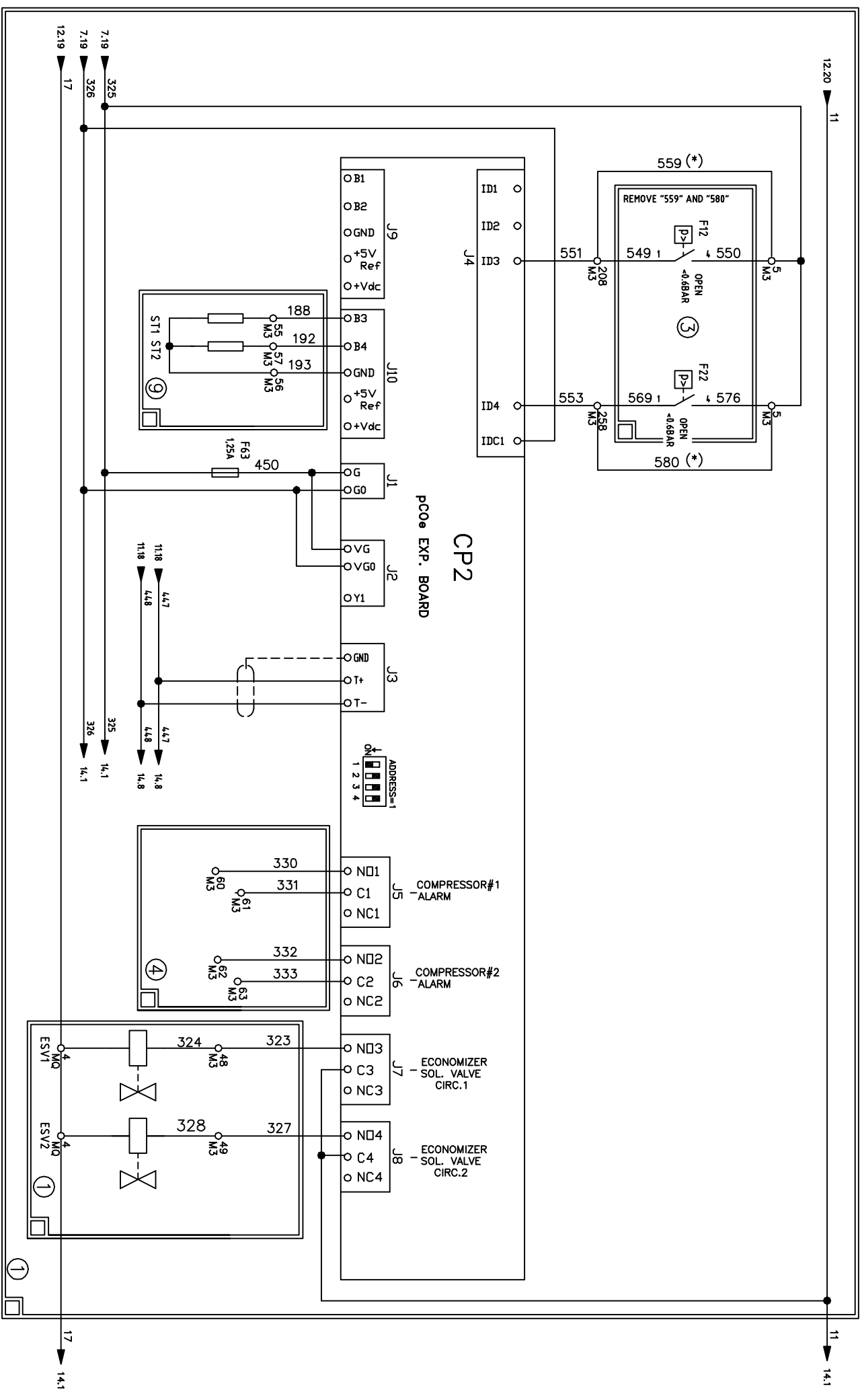
1 | 2 | 3 | 4 | 5 | 6 | 7 | 8 | 9 | 10 | 11 | 12 | 13 | 14 | 15 | 16 | 17 | 18 | 19 | 20



1 2 3 4 5 6 7 8 9 10 11 12 13 14 15 16 17 18 19 20

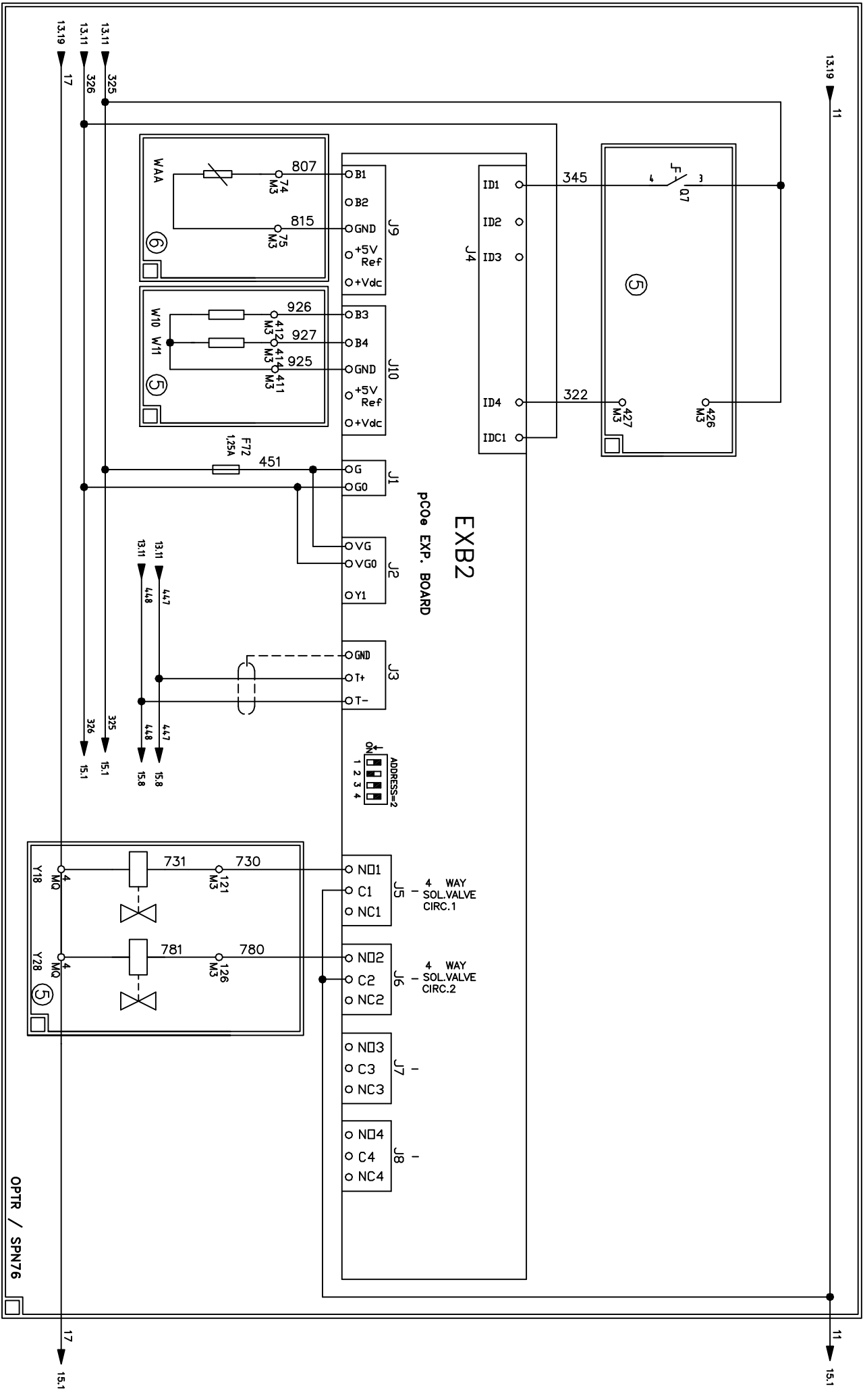


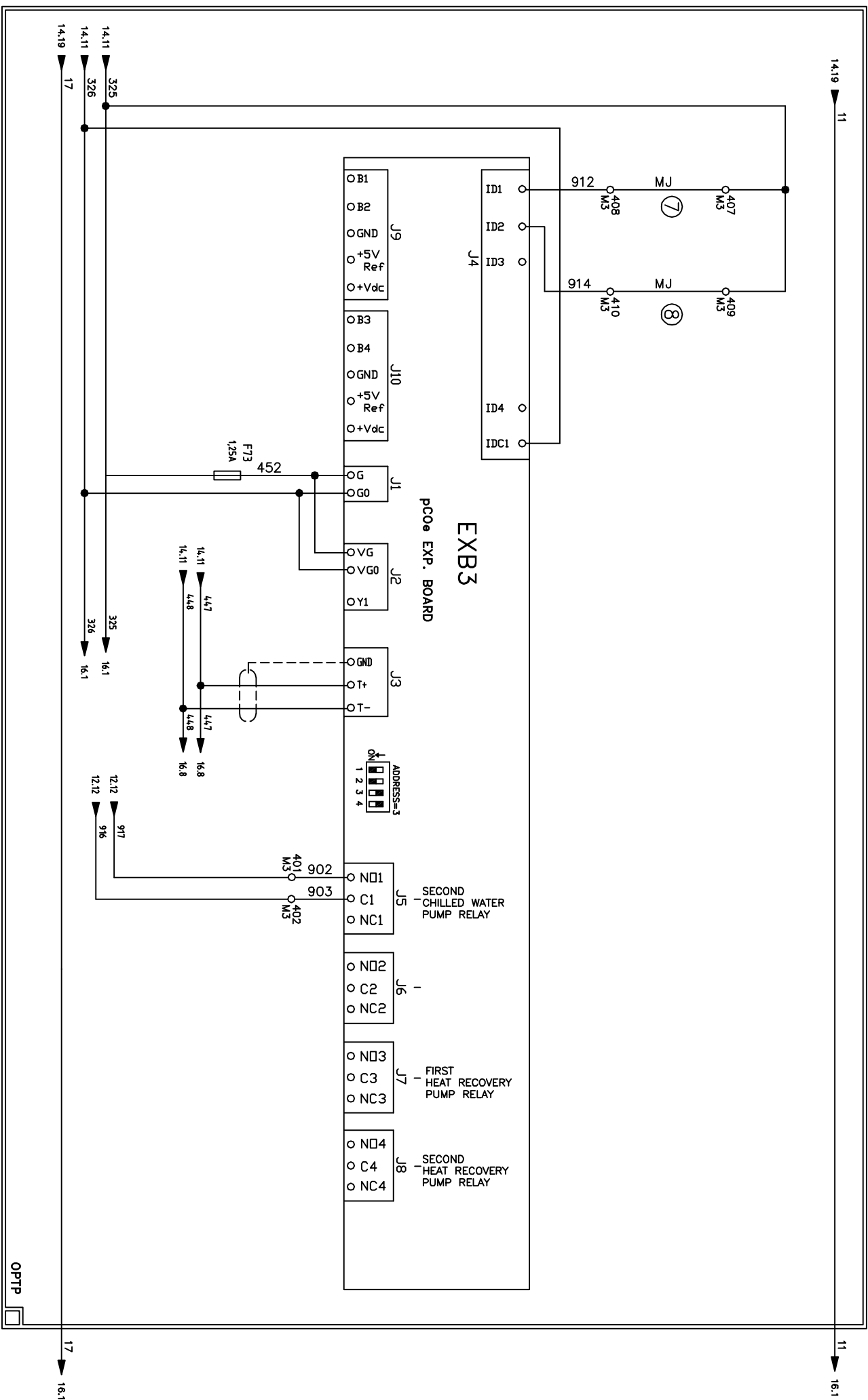




1 2 3 4 5 6 7 8 9 10 11 12 13 14 15 16 17 18 19 20

1 2 3 4 5 6 7 8 9 10 11 12 13 14 15 16 17 18 19 20





1 2 3 4 5 6 7 8 9 10 11 12 13 14 15 16 17 18 19 20

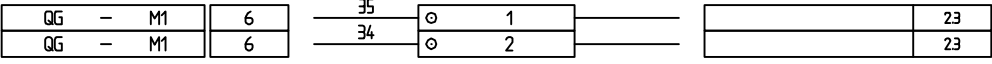
1 2 3 4 5 6 7 8 9 10 11 12 13 14 15 16 17 18 19 20

OPTP

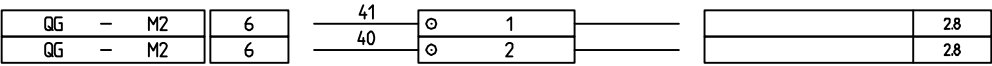


1 | 2 | 3 | 4 | 5 | 6 | 7 | 8 | 9 | 10 | 11 | 12 | 13 | 14 | 15 | 16 | 17 | 18 | 19 | 20

COMPRESSOR 1 TERMINAL



COMPRESSOR 2 TERMINAL







LEGEND

MASTER

ITEM	DESCRIPTION	SHEET	Q1a/Q1y
C1	POWER FACTOR CORRECTION	3	1
C2	POWER FACTOR CORRECTION	3	1
CP1	ANALOG-DIGITAL INPUTS BOARD	7	1
CP2	ECONOMIZER KIT AND ADDITIONAL HARDWARE EXP BOARD 1	13	1
DRV1	SPEEDTROL	4	1
DRV2	SPEEDTROL	5	1
ESV1	ECONOMIZER SOLENOID VALVE COMP 1	13	1
ESV2	ECONOMIZER SOLENOID VALVE COMP 2	13	1
EXB2	HEAT RECOVERY CONTROL EXPANSION BOARD 2	14	1
EXB3	WATER PUMP CONTROL EXPANSION BOARD 3	15	1
EXB4	FAN STEP CONTROL EXPANSION BOARD 4	16	1
F1	COMPRESSOR FUSES	2	1
F2	COMPRESSOR FUSES	2	1
F9	PUMP FUSES	3	1
F10	FUSES	2	1
F12	PRESSURE SWITCH	13	1
F13	HIGH PRESSURE SWITCH	8	1
F20	FUSES	2	1
F22	PRESSURE SWITCH	13	1
F23	HIGH PRESSURE SWITCH	10	1
F51	THERMAL RELAY	2	1
F52	THERMAL RELAY	2	1
F58	PUMP HEATER FUSE	12	1
F59	EVAPORATOR HEATER FUSE	6	1
F60	PROTECTION AUX CIRCUIT FUSE	6	1
F63	PROTECTION AUXILIARY CIRCUIT	13	1
F70	PUMP MAGNETOTHERMAL	3	1
F72	PROTECTION AUXILIARY CIRCUIT	14	1
F73	PROTECTION AUXILIARY CIRCUIT	15	1
F74	PROTECTION AUXILIARY CIRCUIT	16	1
F80	PUMP MAGNETOTHERMAL	3	1
F90	TERMOSTAT	12	1
F9A	PUMP FUSES	3	1
F100	FAN FUSES	4	1
F112	PHASE VOLT MONITOR	6	1
F120	TRANSFORMER 1 PROTECTION	6	1
F130	PHASE VOLT MONITOR FUSE	6	1
F200	FAN FUSES	5	1
F112A	PHASE VOLT MONITOR	6	1
F130A	PHASE VOLT MONITOR FUSE	6	1
FC1	POWER FACTOR CORRECTION FUSES 1	3	1
FC2	POWER FACTOR CORRECTION FUSES 1	3	1
K1	AUXILIARY RELAY	8	1
K3	AUXILIARY RELAY	10	1
K16	AUXILIARY RELAY	9	1

ITEM	DESCRIPTION	SHEET	Q1a/Q1y
K26	AUXILIARY RELAY	11	1
KM2	COMPRESSOR CONTACTORS	8	1
KM4	COMPRESSOR CONTACTORS	10	1
KM10	POWER FACTOR CORRECTION CONTACTORS	8	1
KM11	FAN MOTOR CONTACTOR	9	1
KM12	FAN MOTOR CONTACTOR	9	1
KM13	FAN MOTOR CONTACTOR	9	1
KM14	FAN MOTOR CONTACTOR	9	1
KM20	POWER FACTOR CORRECTION CONTACTORS	10	1
KM21	FAN MOTOR CONTACTOR	11	1
KM22	FAN MOTOR CONTACTOR	11	1
KM23	FAN MOTOR CONTACTOR	11	1
KM24	FAN MOTOR CONTACTOR	11	1
KM51	PRIMARY PUMP CONTACTOR	12	1
KM55	COMPRESSOR CONTACTORS	8	1
KM61	SECONDARY PUMP CONTACTOR	12	1
KM65	COMPRESSOR CONTACTORS	10	1
KT1	TIME DELAY RELAY	8	1
KT2	TIME DELAY RELAY	10	1
M1	COMPRESSOR 1	2	1
M2	COMPRESSOR 2	2	1
M10	FORCED VENTILATION	12	1
M11	FAN MOTOR	4	1
M11	FAN MOTOR	4	1
M12	FAN MOTOR	4	1
M12	FAN MOTOR	4	1
M13	FAN MOTOR	4	1
M14	FAN MOTOR	4	1
M21	FAN MOTOR	5	1
M21	FAN MOTOR	5	1
M22	FAN MOTOR	5	1
M23	FAN MOTOR	5	1
M24	FAN MOTOR	5	1
MP1	MOTOR THERMAL PROTECTION 1	2	1
MP2	MOTOR THERMAL PROTECTION 2	2	1
P1	PUMP 1	3	1
P2	PUMP 2	3	1
Q0	ON-OFF UNIT SWITCH	7	1
Q1	ON-OFF COMPRESSOR SWITCH	7	1
Q2	ON-OFF COMPRESSOR SWITCH	7	1
Q7	ON-OFF SWITCH	14	1
Q10	MAIN SWITCH	2	1
Q12	AUTOMATIC CIRCUIT BREAKER	6	1
Q15	FAN CIRCUIT BREAKER	4	1
Q15	FAN CIRCUIT BREAKER	4	1
Q16	FAN CIRCUIT BREAKER	4	1

ITEM	DESCRIPTION	SHEET	Q1a/Q1y
Q17	FAN CIRCUIT BREAKER	4	1
Q18	FAN CIRCUIT BREAKER	4	1
Q25	FAN CIRCUIT BREAKER	5	1
Q25	FAN CIRCUIT BREAKER	5	1
Q26	FAN CIRCUIT BREAKER	5	1
Q27	FAN CIRCUIT BREAKER	5	1
Q28	FAN CIRCUIT BREAKER	5	1
QC1	THERMAL RELAY	3	1
QC2	THERMAL RELAY	3	1
R1	COMPRESSOR CRANKCASE HEATER CIRC.1	2	1
R2	COMPRESSOR CRANKCASE HEATER CIRC.2	2	1
R5	EVAPORATOR HEATER	6	1
R10	PUMP HEATER	12	1
SC	CURRENT LIMIT	6	1
ST1	SUCTION TEMP. SENSOR CIRC. 1	13	1
ST2	SUCTION TEMP. SENSOR CIRC. 2	13	1
T1	400/115v TRANSFORMER	6	1
T2	230v/24v TRANSFORMER	6	1
TA4	AMMETER TRANSFORMER	6	1
Tc	TERMOSTAT	6	1
TC3	TERMOSTAT	12	1
W1	COMPRESSOR THERMISTOR CIRC. 1	2	1
W2	COMPRESSOR THERMISTOR CIRC. 2	2	1
W10	ENTERING HR WATER SENSOR	14	1
W11	LEAVING HR WATER SENSOR	14	1
WAA	AIR AMBIENT	14	1
WD1	DISCHARGE SENSOR CIR. 1	7	1
WD2	DISCHARGE SENSOR CIR. 2	7	1
WH1	HIGH PRESSURE TRANSDUCER CIR.1	7	1
WH2	HIGH PRESSURE TRANSDUCER CIR.2	7	1
WIE	ENTERING EVAPORATOR WATER SENSOR	7	1
WL1	LOW PRESSURE TRANSDUCER CIR.1	7	1
WL2	LOW PRESSURE TRANSDUCER CIR.2	7	1
W01	OIL PRESSURE TRANSDUCER CIR.1	7	1
W02	OIL PRESSURE TRANSDUCER CIR.2	7	1
W0E	LEAVING EVAPORATOR WATER SENSOR	7	1
Y1	LIQUID LINE SOLENOID VALVE CIRC. 1	8	1
Y2	LIQUID LINE SOLENOID VALVE CIRC. 2	10	1
Y5	LIQUID INJECTION SOLENOID VALVE CIRC. 1	8	1
Y6	LIQUID INJECTION SOLENOID VALVE CIRC. 2	10	1
Y12	LOADER SOLENOID VALVE CIRC. 1	8	1
Y13	UNLOADER SOLENOID VALVE CIRC. 1	8	1
Y18	4 WAY VALVE COMP.1	14	1
Y22	LOADER SOLENOID VALVE CIRC. 2	10	1
Y23	UNLOADER SOLENOID VALVE CIRC. 2	10	1

DAIKIN EUROPE NV

DESCRIPTION:

LEGEND

REFEREMENT:

**MASTER**

N°: 180246

REVISIONE / REVISIONS: 7

SHEETS: 25 | PAG.: 23

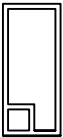
1 | 2 | 3 | 4 | 5 | 6 | 7 | 8 | 9 | 10 | 11 | 12 | 13 | 14 | 15 | 16 | 17 | 18 | 19 | 20

ITEM	DESCRIPTION	SHEET
Y28	4 WAY VALVE COMP 2	14
		1

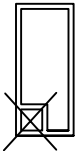
1 | 2 | 3 | 4 | 5 | 6 | 7 | 8 | 9 | 10 | 11 | 12 | 13 | 14 | 15 | 16 | 17 | 18 | 19 | 20

Standard compressor			
FUSES + OVERCURRENT	3118	3120	3121
F1	100 A	100 A	125 A
F2	100 A	100 A	125 A
F51	49 A	49 A	65 A
F52	49 A	49 A	65 A

Standard fan			
FUSES + OVERCURRENT	FANS-TEC 0700	FANS-TEC 0700	
	6P (HIGH SPEED)	8P (LOW SPEED)	
F100	20 A	20 A	
F200	20 A	20 A	
Q15+22	2,7 A	1,6 A	
Q25+32	2,7 A	1,6 A	



OPTIONAL EQUIPMENT



EQUIPMENT INSTALLED

FIELD WIRING CONNECTIONS

REMOVE THIS EQUIPMENT WITH KIT SPEEDTROL



ELECTRICAL EQUIPMENT  
INSTALLED ON COMPRESSOR  
TERMINALS BOX

- (A)** HIGH SPEED FAN CONNECTIONS  
ST - LN - HA VERSION  
A - H - N VERSION
- (B)** LOW SPEED FAN CONNECTIONS  
XN VERSION
- (1)** INSTALL WITH EXPANSION BOARD ONLY
- (2)** INSTALL WITH SECONDARY PUMP ONLY
- (3)** INSTALL WITH "LOW PRESSURE SWITCH" ONLY
- (4)** INSTALL WITH "COMP. ALARM KIT" ONLY
- (5)** INSTALL WITH "HEAT RECOVERY KIT"
- (6)** INSTALL WITH "SPN76"
- (7)** FIRST PUMP ALARM
- (8)** SECONDARY PUMP ALARM
- (9)** INSTALL WITH "SUCTION TEMP. SENSOR"
- (\*)** REMOVE THIS WIRE OR MU IF THE OPTION IS REQUESTED
- (\*)** MANUAL RESET

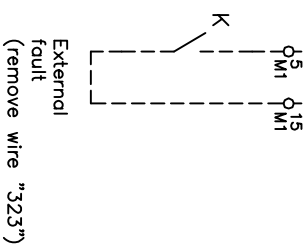
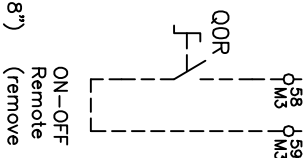
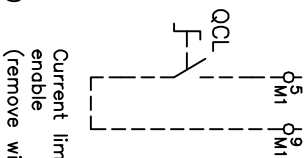
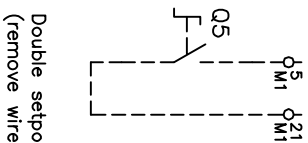
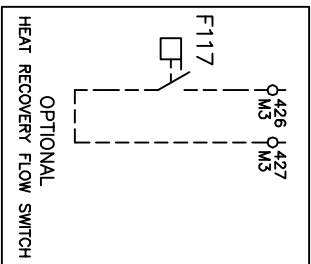
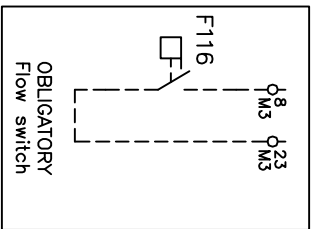
**LIST OF OPTIONS**

Standard pumps					
FUSES + OVERCURRENT	1,5 kW	2,2 kW	3 kW	4 kW	5,5 kW
F9	16 A	20 A	25 A	35 A	35 A
F9A	16 A	20 A	25 A	35 A	35 A
F70	3,5 A	5 A	6,5 A	8,5 A	11,5 A
F80	3,5 A	5 A	6,5 A	8,5 A	11,5 A

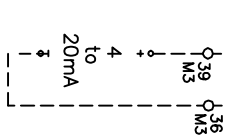
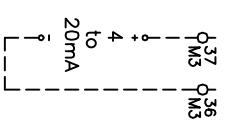
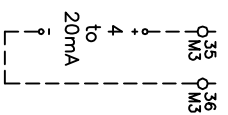
Option	Description
OPBT	Buffer tank
OPLA	Low Ambient
OPPF	Power Factor Correction
OPSC	Single Contact
OPSP	Single Pump
OPTP	Twin Pump or Ducl Pump
OPTR	Total Recovery
OP57	A/V Meter
SPN11	Thermal Relay
SPN15a	Variable Phase monitor
SPN19	Current limit
SPN76	OAT Sensor
SPN79	External Fault Alarm
SPN95	Forced Ventilation
SPN96	Anticondensate Heater

1 | 2 | 3 | 4 | 5 | 6 | 7 | 8 | 9 | 10 | 11 | 12 | 13 | 14 | 15 | 16 | 17 | 18 | 19 | 20

Digital input terminals

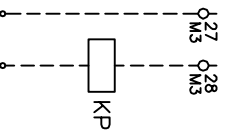


Analog input terminals



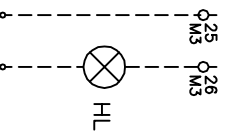
Digital output terminals

Pump contact  
Maximum load:  
2A-230VAC



External power supply  
(ex 24VAC or 230VAC)

Alarm NO (default)  
Maximum load:  
2A-230VAC



External power supply  
(ex 24VAC or 230VAC)

1 | 2 | 3 | 4 | 5 | 6 | 7 | 8 | 9 | 10 | 11 | 12 | 13 | 14 | 15 | 16 | 17 | 18 | 19 | 20