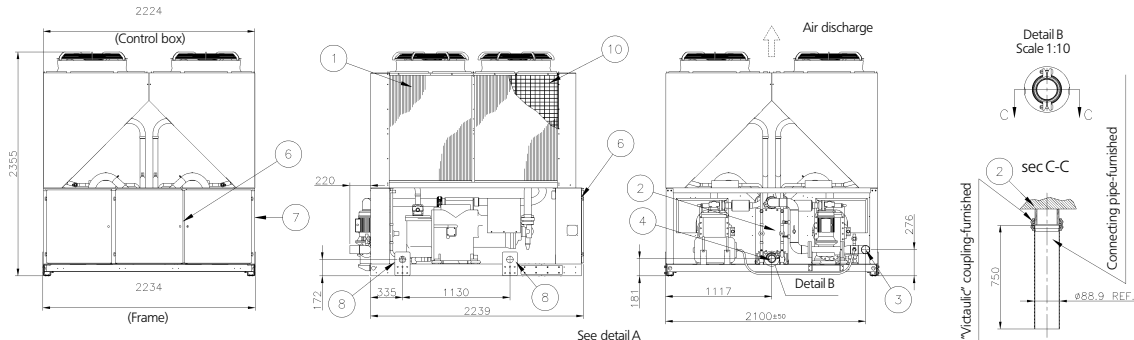


EWAD200-210AJYNN/H+OPSP

EWAD200-210AJYNN/H+OPSP+OPRN



Legend

- ① Condenser coil
- ② Evaporator
- ③ Pump water inlet 3" gas connection
- ④ Evaporator water outlet 3" gas connection
- ⑤ Victaulic connections for 88.9 O.D. tube
- ⑥ Operating and control panel
- ⑦ 330x180 slot for power and control panel connection
- ⑧ 4 Raising plate
- ⑨ 4 isolator mounting holes 25 mm DIA.
- ⑩ Coil protection guards (optional)
- ⑪ Compressor enclosure (optional)

Version	Condenser type	Weight KG		Isolators load KG			
		Shipping	Operating	A	B	C	D
EWAD200-210AJYNN/H+OPSP	Aluminium	2540	2570	675	672	613	613
EWAD200-210AJYNN/H+OPSP+OPRN	Acrylic coated						
EWAD200-210AJYNN/H+OPSP	Rubber isolators	Type (q/ty)		786010-w (4 Pz.)			
EWAD200-210AJYNN/H+OPSP+OPRN							

Detail "A" rubber isolator

