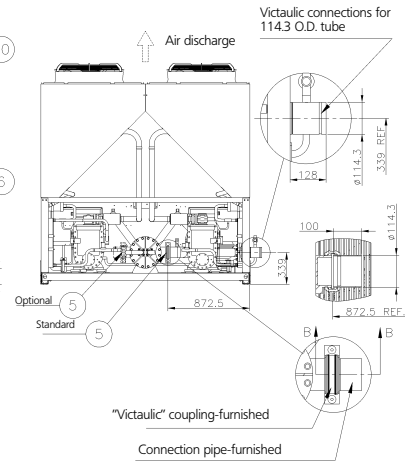
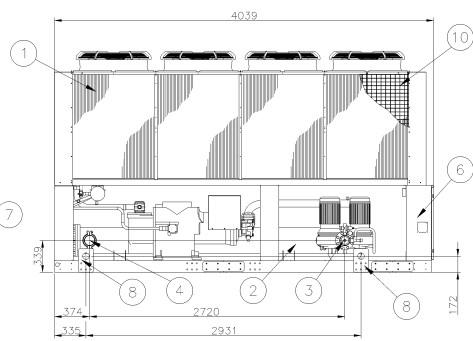
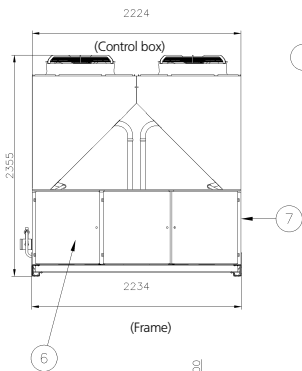


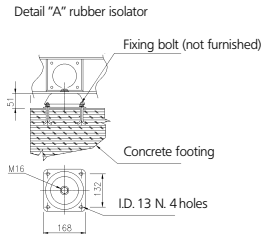
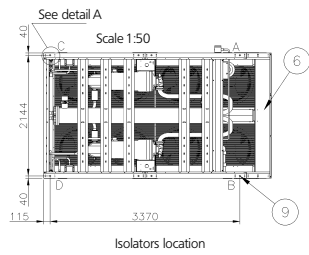
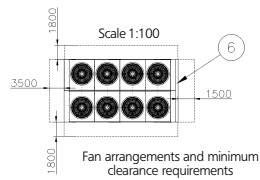
EWAD340-400AJYNN/H+OPTP

EWAD340-400AJYNN/H+OPTP+OPRN



Legend

- ① Condenser coil
- ② Evaporator
- ③ Evaporator water inlet
- ④ Evaporator water outlet
- ⑤ Victaulic connections for 114.3 O.D. tube
- ⑥ Operating and control panel
- ⑦ 330x180 slot for power and control panel connection
- ⑧ 4 Raising plate
- ⑨ 4 isolator mounting holes 25 mm DIA.
- ⑩ Coil protection guards (optional)
- ⑪ Compressor enclosure (optional)



Version	Condenser type	Weight KG		Isolators load KG			
		Shipping	Operating	A	B	C	D
EWAD340-400AJYNN/H+OPTP+OPRN	Aluminium	3400	3510	857	857	898	898
	Acrylic coated						
EWAD340-400AJYNN/H+OPTP+OPRN	Rubber isolators	Type (q/ty)		786011-h (4 Pz)			