

1	2	3	4	5	6	7	8	9	10	11	12	13	14	15	16	17	18	19	20
SHEET	DESCRIPTION																		

1	FRONT PAGE																		
2	POWER COMPRESSOR 1-2																		
3	KIT PUMPS AND KIT CAPACITORS																		
4	CIRCUIT FAN POWER SUPPLY 1																		
5	CIRCUIT FAN POWER SUPPLY 2																		
6	UNIT CONTROL CIRCUIT POWER SUPPLY																		
7	ELECTRONIC EXP. VALVE BOARD CIRC. 1-2																		
8	ANAL-DIGITAL INPUTS BOARD 1																		
9	CONTROL CIRCUIT COMPRESSOR 1																		
10	CONTROL CIRCUIT FAN 1																		
11	CONTROL CIRCUIT COMPRESSOR 2																		
12	CONTROL CIRCUIT FAN 2																		
13	PUMPS CONTROL																		
14	ECONOMIZER KIT AND ADDITIONAL HARDWARE EXP. BOARD N° 1																		
15	HEAT RECOVERY CONTROL EXP. BOARD N° 2																		
16	SECOND WATER PUMP EXP. BOARD N° 3																		
17	FAN STEP CONTROL EXP. BOARD N° 4																		
18	TERMINALS M1-M2																		
19	TERMINALS M3																		
20	TERMINALS M4																		
21	LEGEND																		
22	LEGEND																		
23	LEGEND																		
24	NOTE																		
25	FIELD WIRING CONNECTION																		

WIRING DIAGRAM

EWAD 400 ÷ 600 AJYNN

400  440  480  500  550  600

EWAD 400 ÷ 500 AJYNN/Q

400  440  460  500

EWAD 500 ÷ 650 AJYNN/A

500  550  600  650

— FAN SPEED MODULATION VERSION WITH ELECTRONIC EXPANSION VALVE —

DIAGRAM N.:

180326

File: (180326/1803261)

Code ID:

DATE: 26/04/07

REV: 0

DWG.

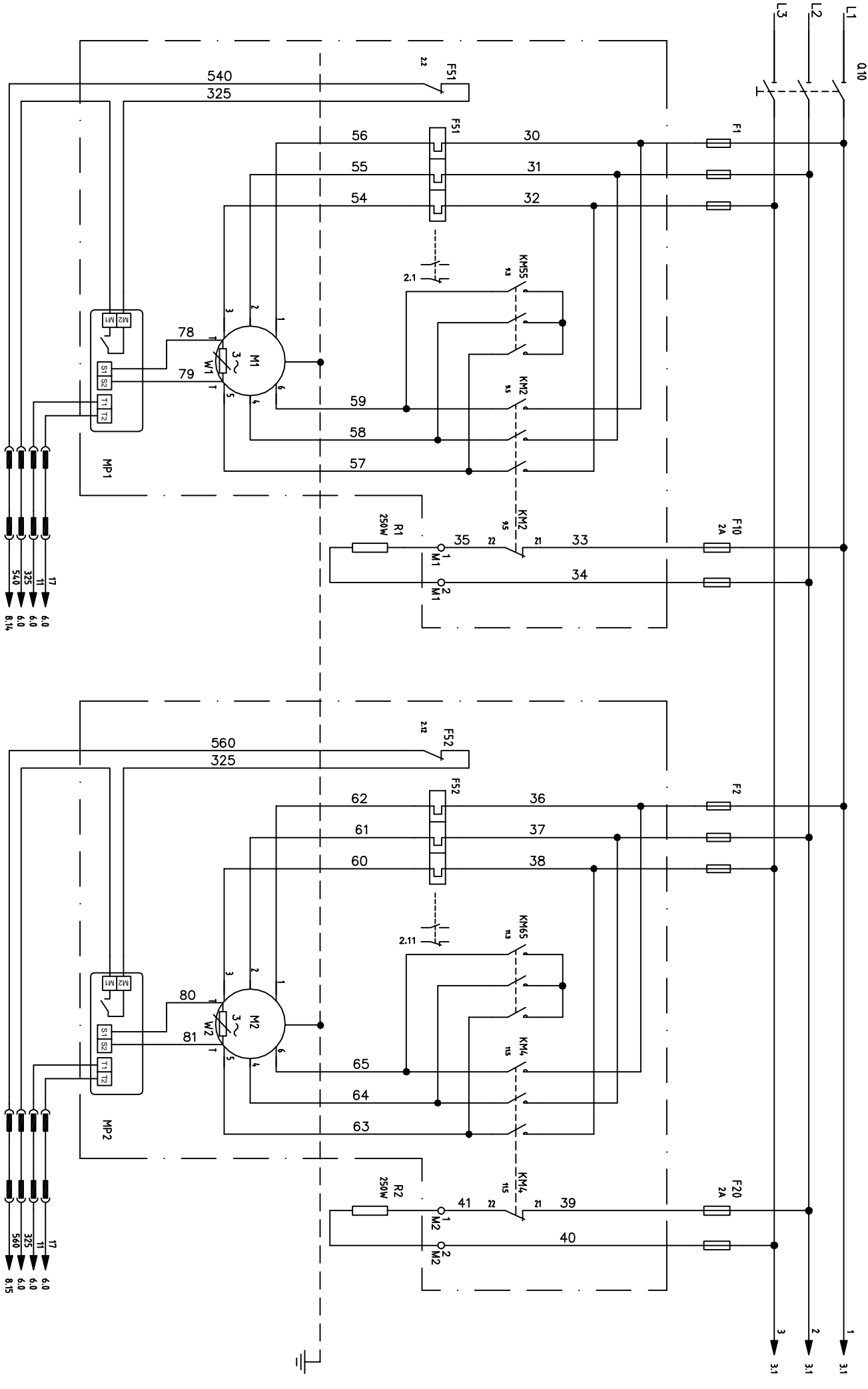
DAIKIN EUROPE NV

This document is reserved property. Reproduction is strictly forbidden by law.

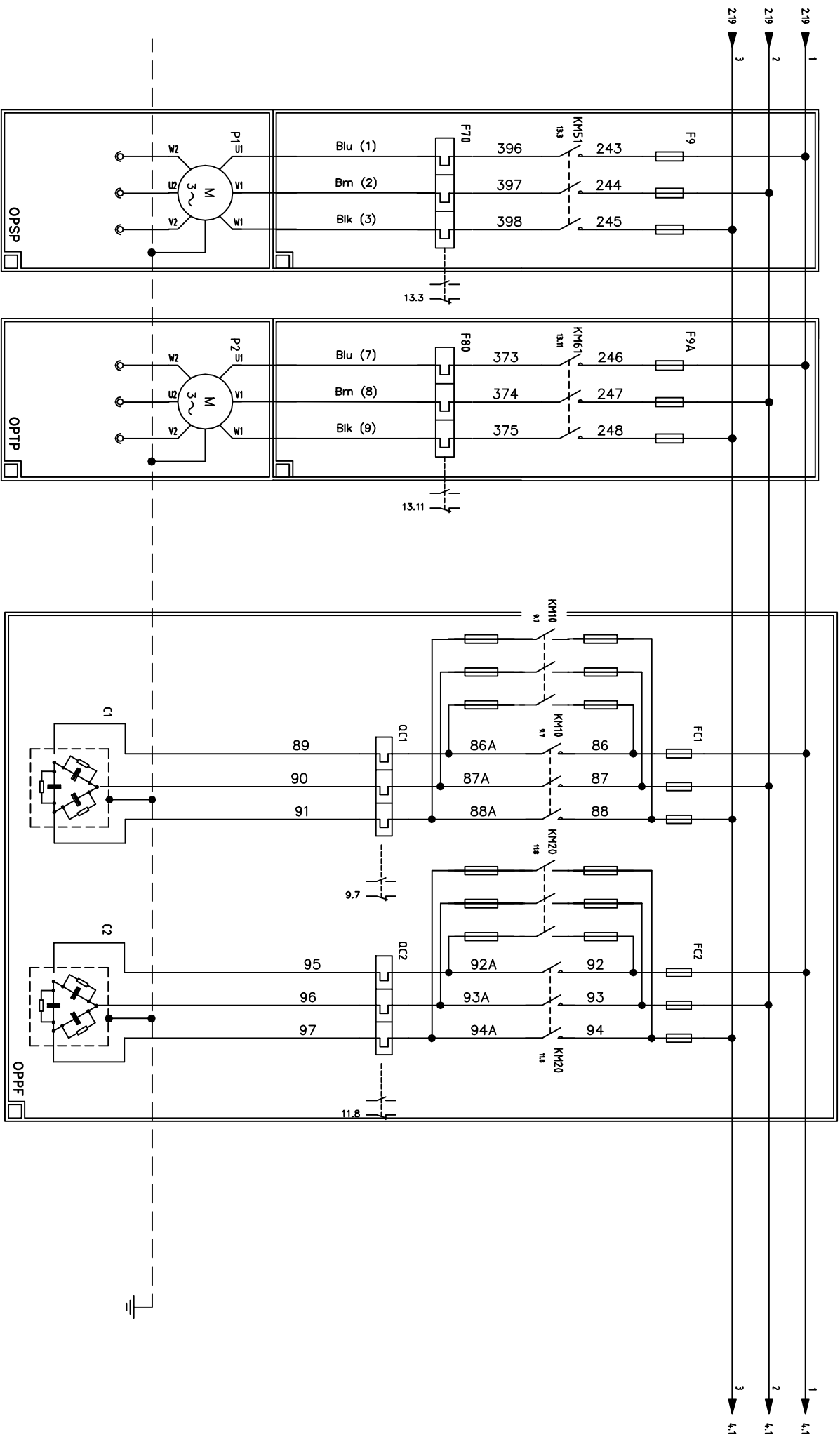
CHECK:

PASSED.

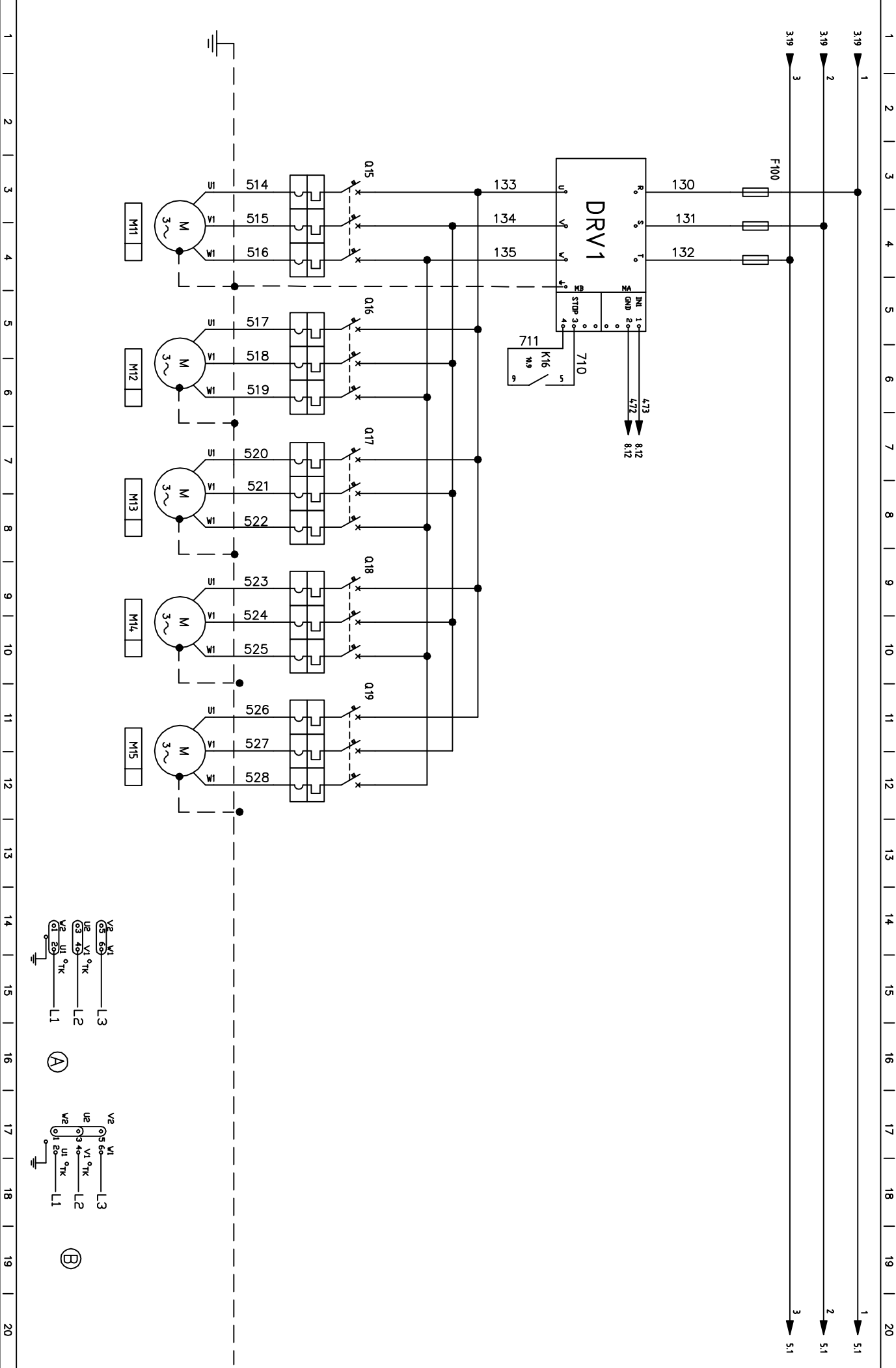
REV.	DATE	HISTORY REVISIONS																		DWG.	CHECK.	PASSED.
1	2	3	4	5	6	7	8	9	10	11	12	13	14	15	16	17	18	19	20			

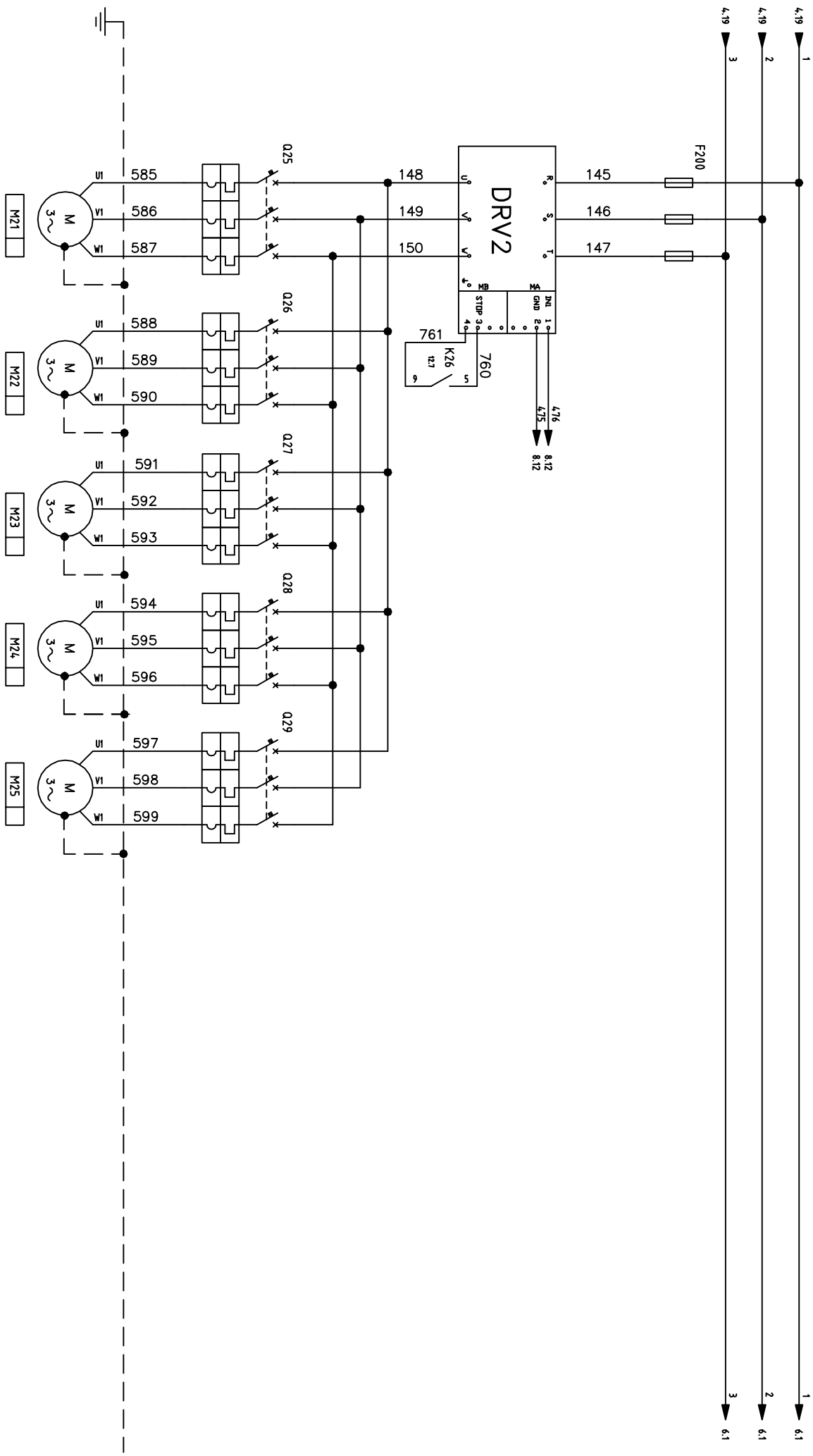


1 2 3 4 5 6 7 8 9 10 11 12 13 14 15 16 17 18 19 20

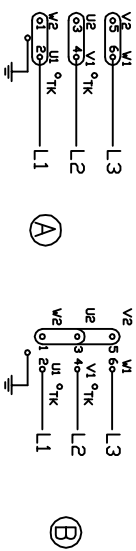


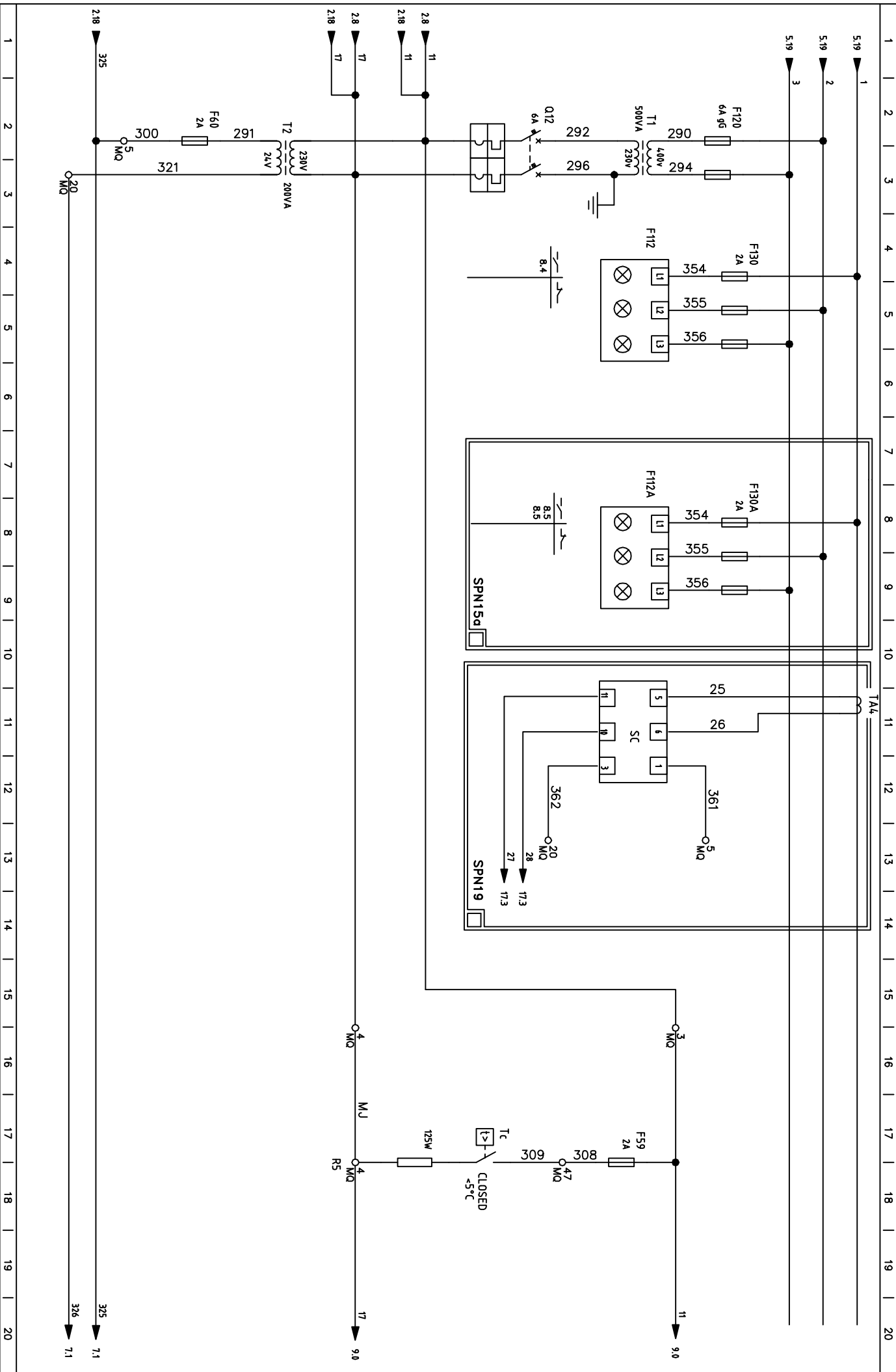
1 2 3 4 5 6 7 8 9 10 11 12 13 14 15 16 17 18 19 20





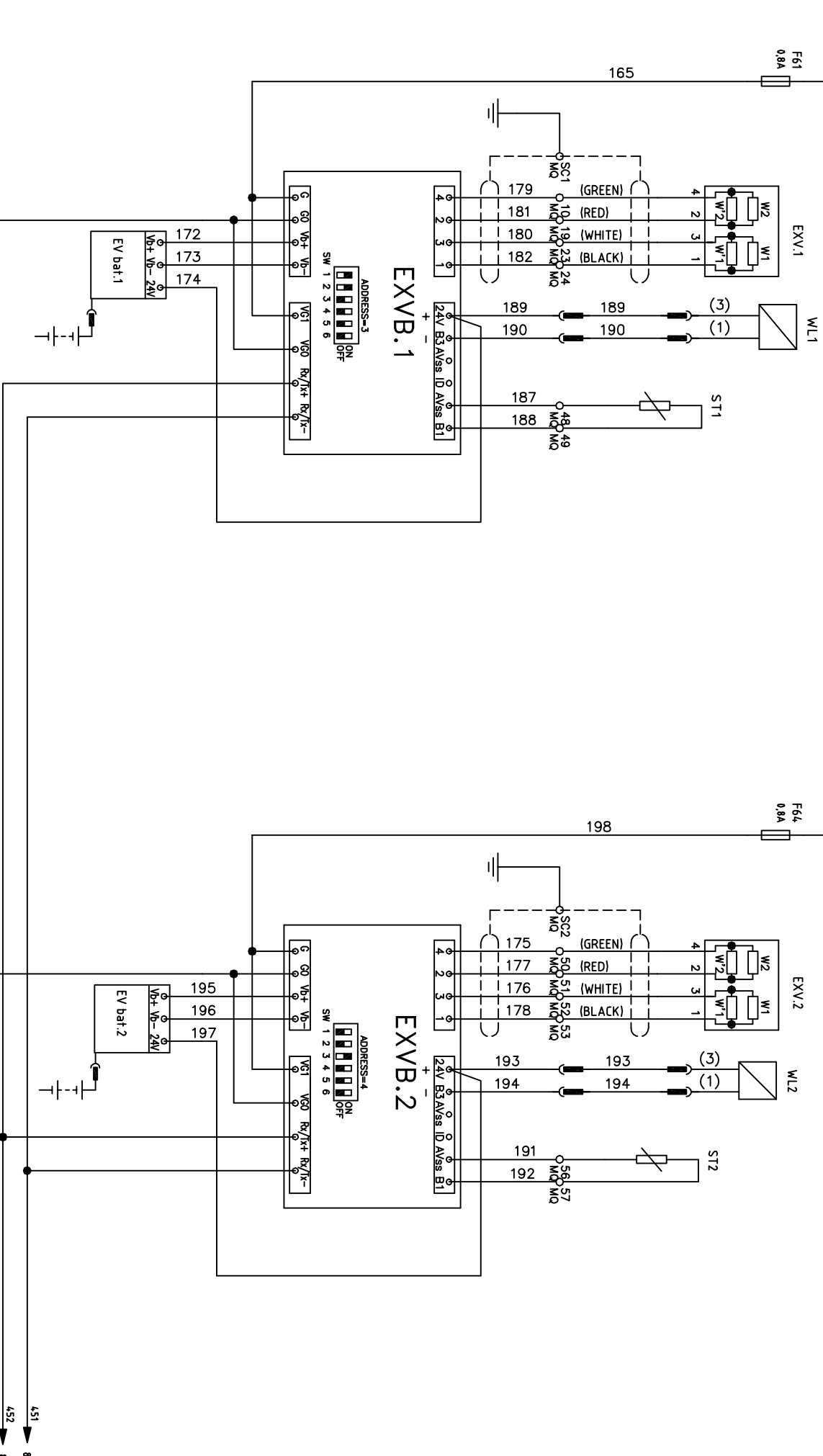
1 2 3 4 5 6 7 8 9 10 11 12 13 14 15 16 17 18 19 20





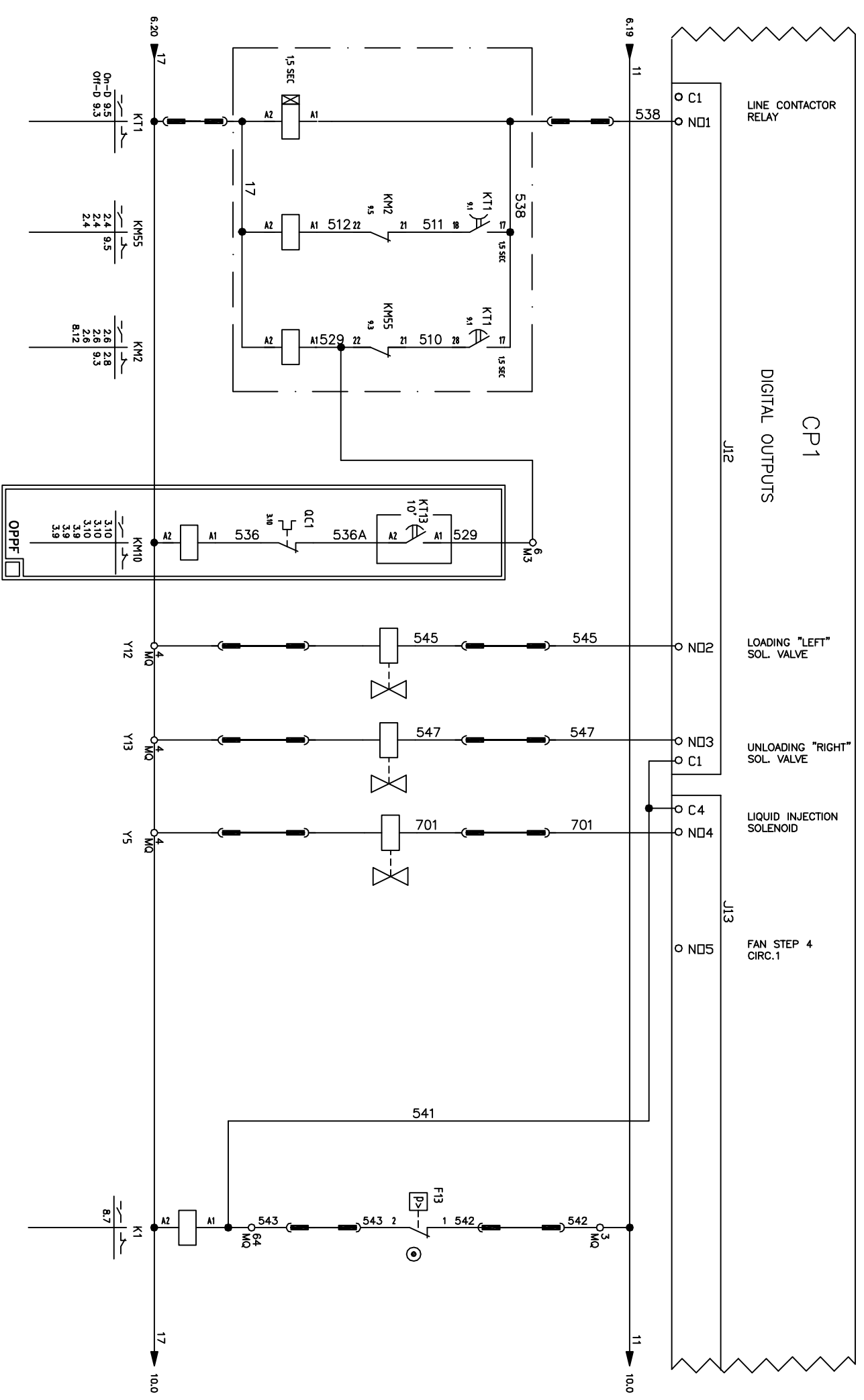
1 2 3 4 5 6 7 8 9 10 11 12 13 14 15 16 17 18 19 20

6.19 326 0.8A F61 165 325 0.8A F64 198 325 8.0



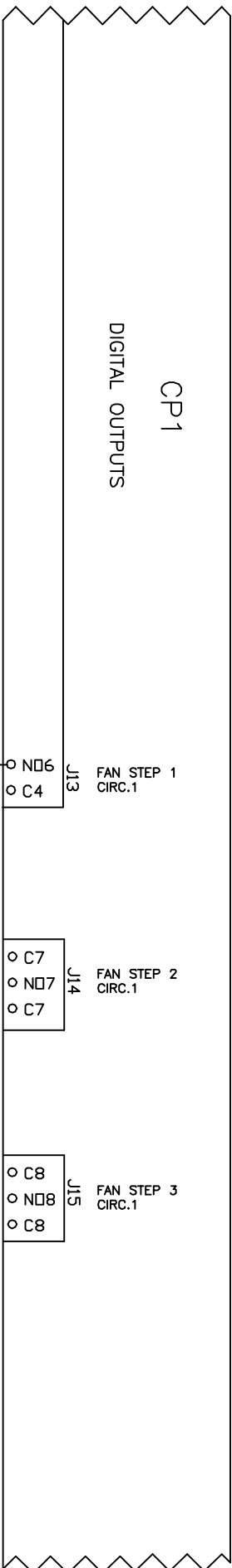
6.19 326 4.51 8.12 4.52 8.12 326 8.0





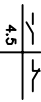
1 2 3 4 5 6 7 8 9 10 11 12 13 14 15 16 17 18 19 20

1 | 2 | 3 | 4 | 5 | 6 | 7 | 8 | 9 | 10 | 11 | 12 | 13 | 14 | 15 | 16 | 17 | 18 | 19 | 20

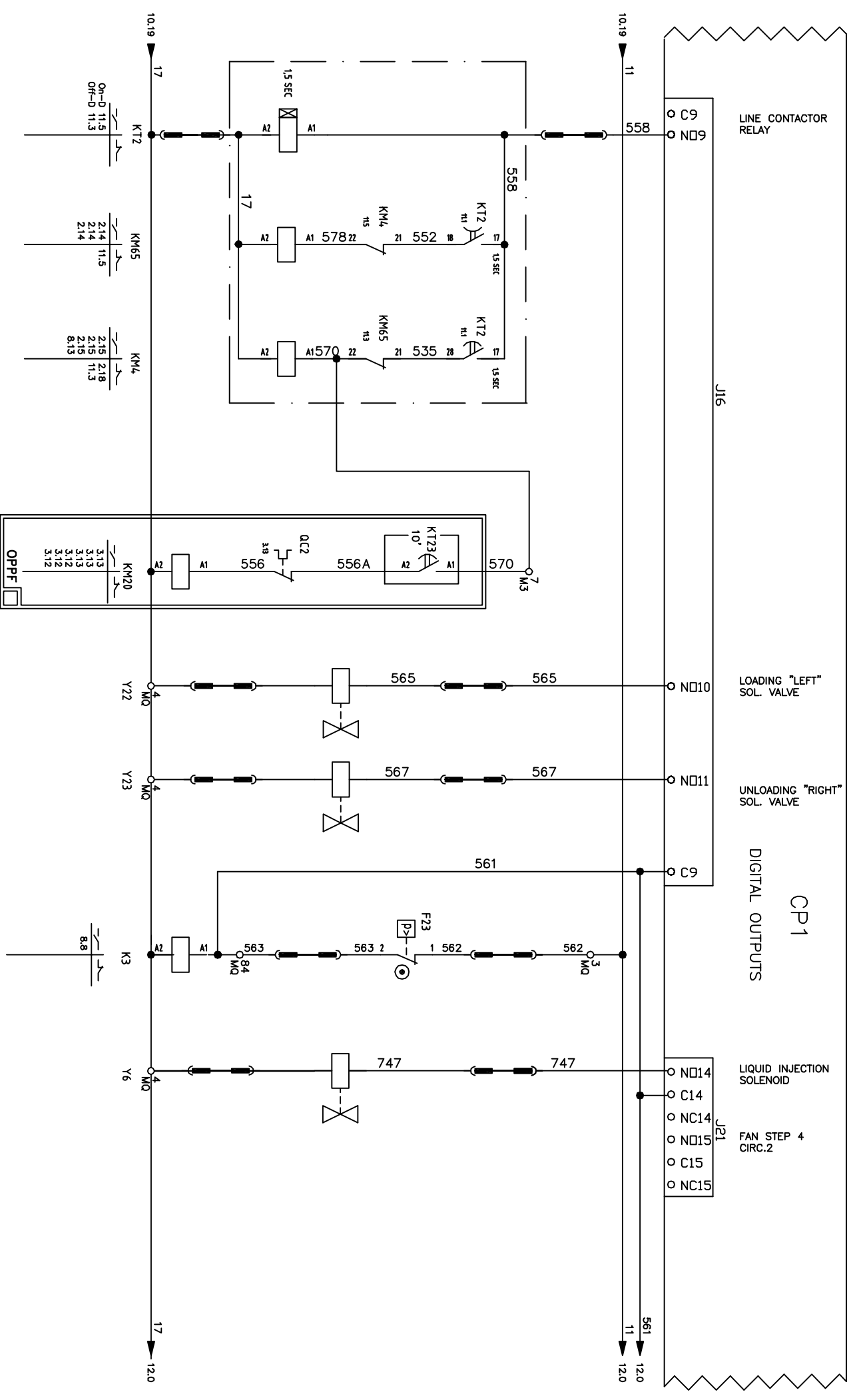


9.19 11 11 11.0

9.19 17 17 11.0

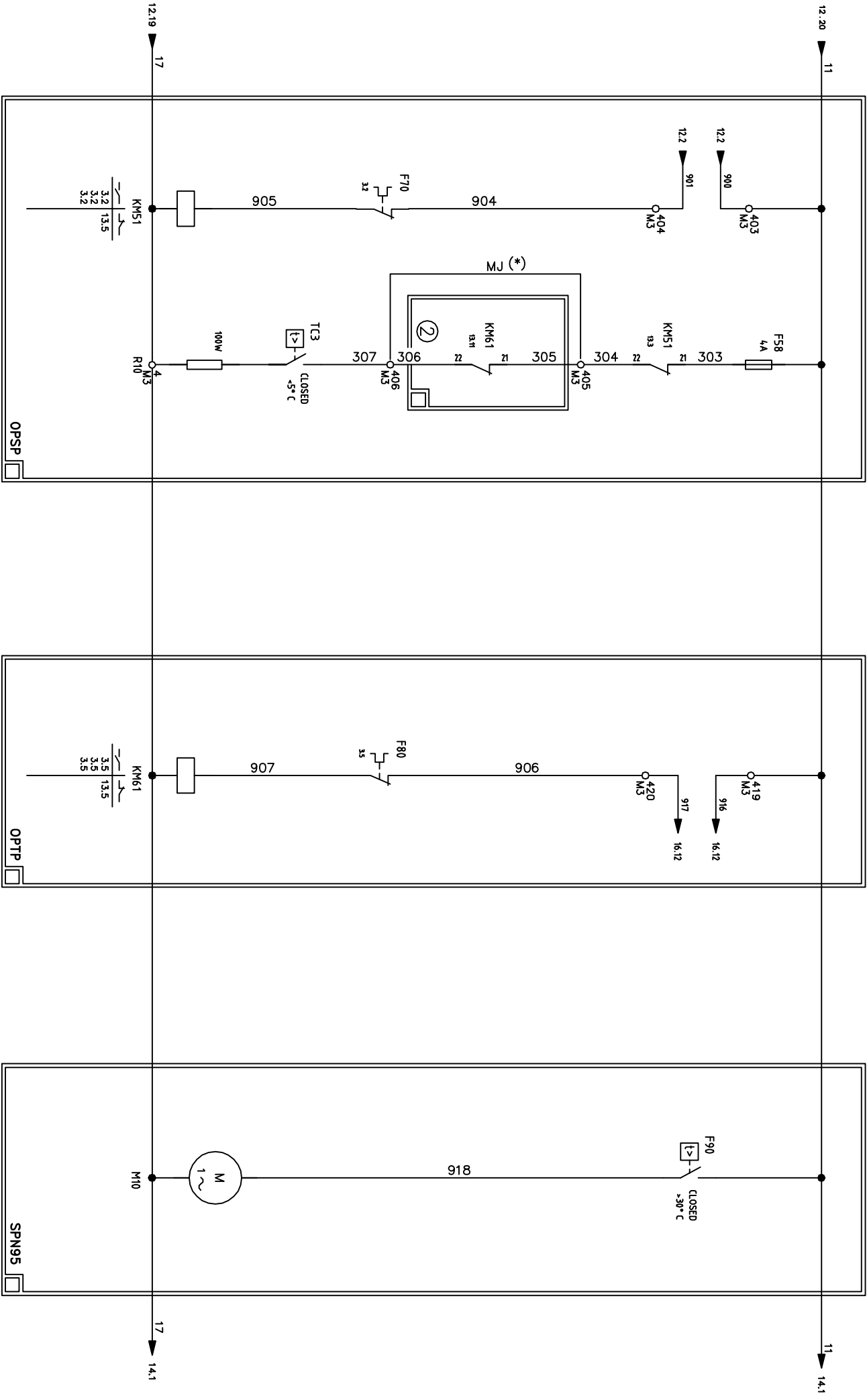


1 | 2 | 3 | 4 | 5 | 6 | 7 | 8 | 9 | 10 | 11 | 12 | 13 | 14 | 15 | 16 | 17 | 18 | 19 | 20

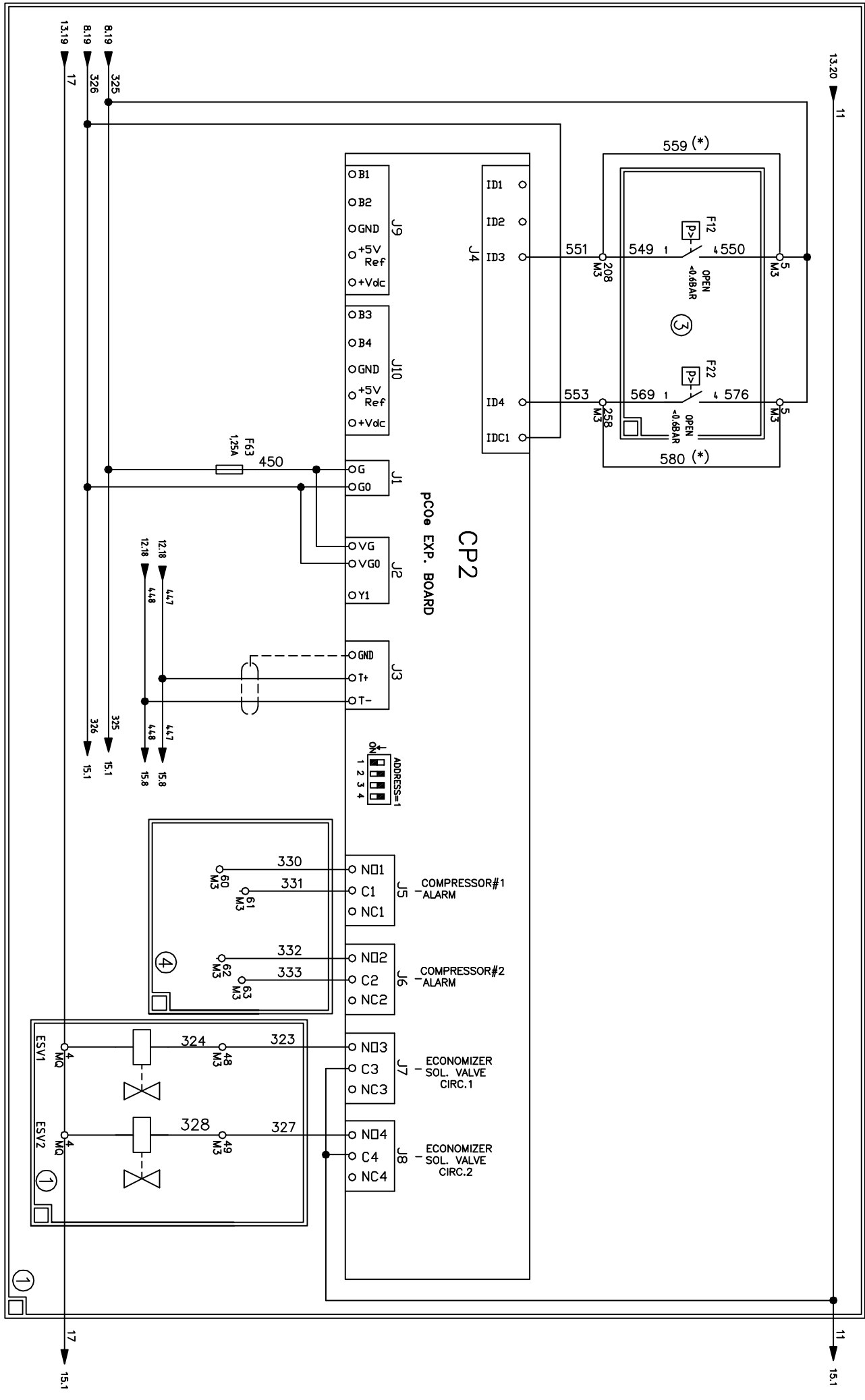


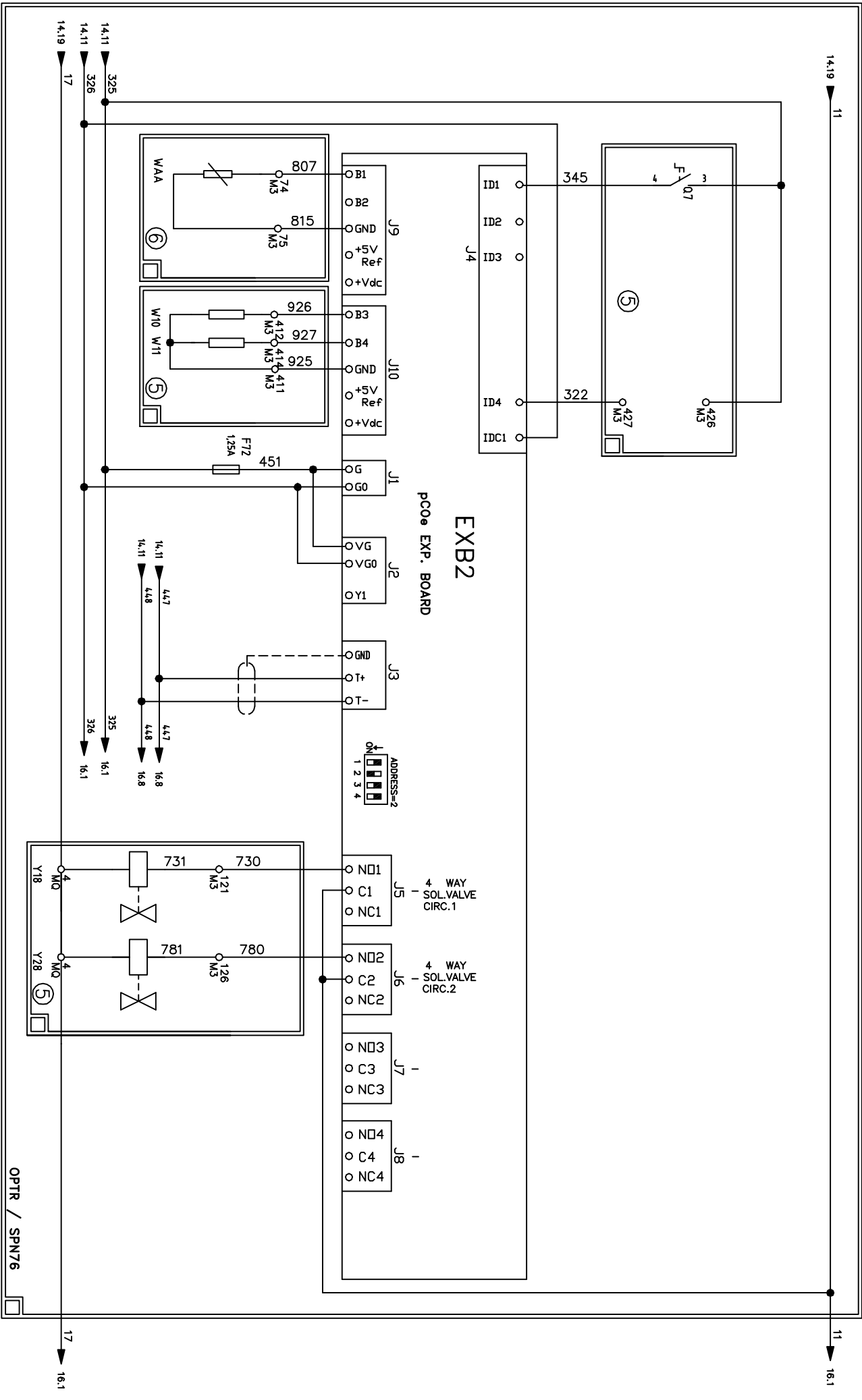
1 2 3 4 5 6 7 8 9 10 11 12 13 14 15 16 17 18 19 20



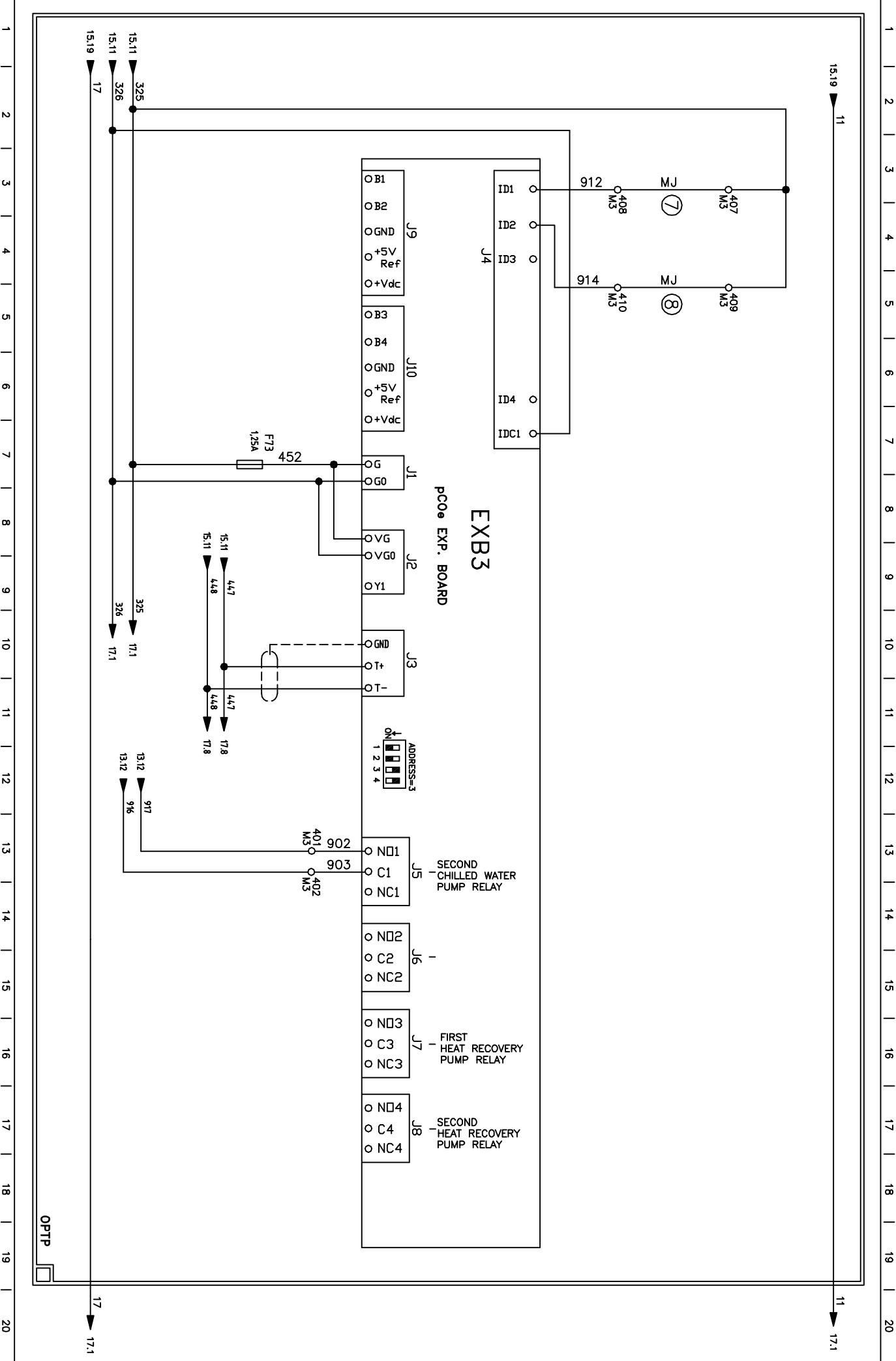


1 2 3 4 5 6 7 8 9 10 11 12 13 14 15 16 17 18 19 20

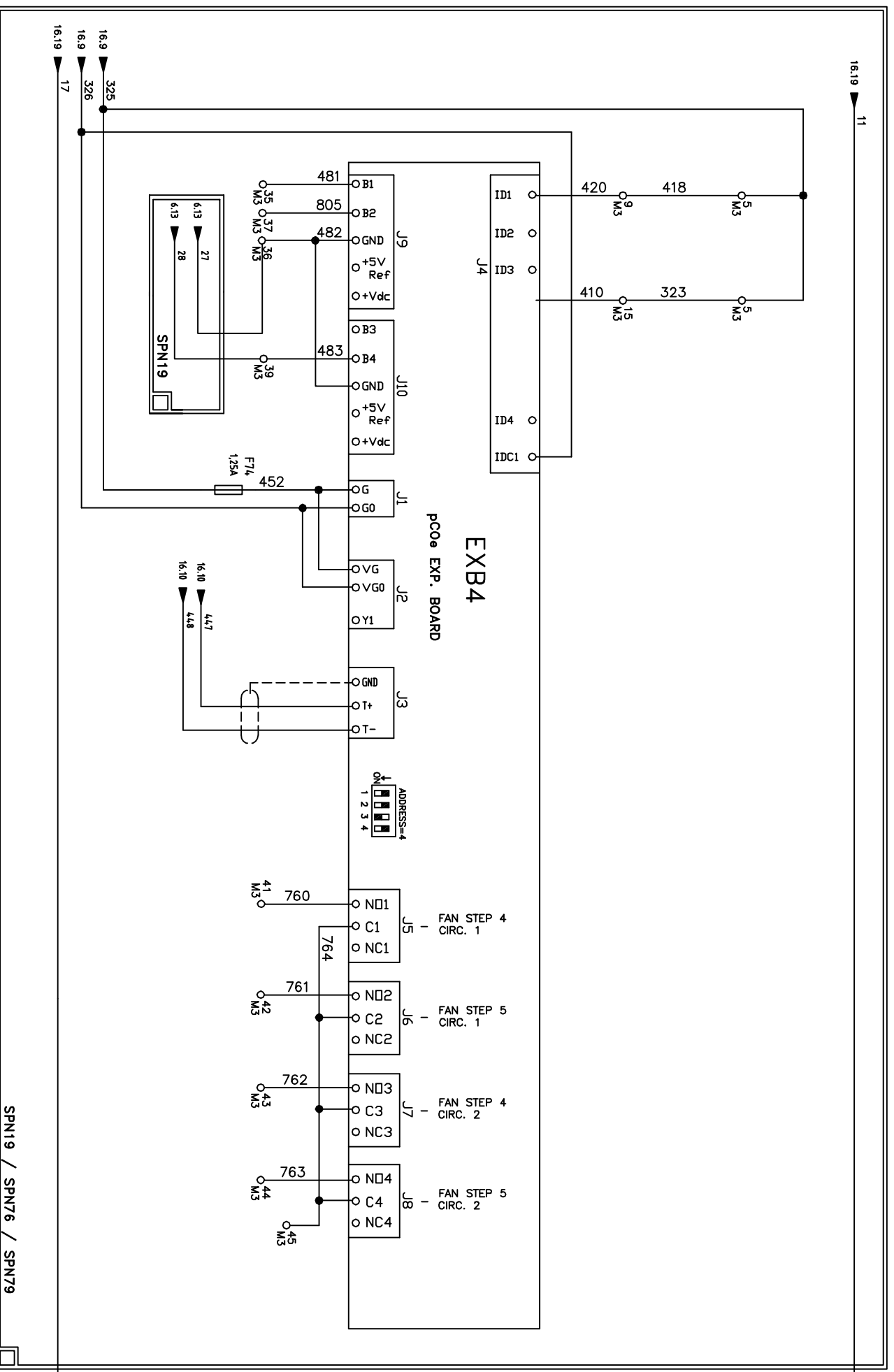




1 2 3 4 5 6 7 8 9 10 11 12 13 14 15 16 17 18 19 20



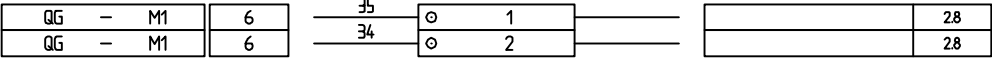
1 2 3 4 5 6 7 8 9 10 11 12 13 14 15 16 17 18 19 20



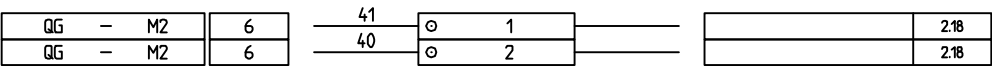
1 2 3 4 5 6 7 8 9 10 11 12 13 14 15 16 17 18 19 20

1 | 2 | 3 | 4 | 5 | 6 | 7 | 8 | 9 | 10 | 11 | 12 | 13 | 14 | 15 | 16 | 17 | 18 | 19 | 20

TERMINAL COMPRESSOR 1



TERMINAL COMPRESSOR 2





ELETRICAL PANEL TERMINAL

	QG	-	MQ	-		SC1				7.2
	QG	-	MQ	-		SC2				7.12
	QG	-	MQ	-	11	3	562			11.14
	QG	-	MQ	-	11	3	542			9.17
	QG	-	MQ	-	17	4	17			11.15
	QG	-	MQ	-	17	4	17			9.9
	QG	-	MQ	-	17	4	17			9.10
	QG	-	MQ	-	17	4	17			9.12
	QG	-	MQ	-	17	4	17			11.10
	QG	-	MQ	-	17	4	17			11.11
	QG	-	MQ	-	17	4	17			14.15
	QG	-	MQ	-	17	4	17			14.16
	QG	-	MQ	-	17	4	17			15.12
	QG	-	MQ	-	17	4	17			15.14
	QG	-	MQ	-	361	5				6.12
	QG	-	MQ	-	198	5	325			8.0
	QG	-	MQ	-	179	10				7.3
	QG	-	MQ	-	467	12	473			8.13
	QG	-	MQ	-	50	13	476			8.14
	QG	-	MQ	-	468	14	475			8.14
	QG	-	MQ	-	181	19				7.3
	QG	-	MQ	-	362	20				6.12
	QG	-	MQ	-	326	20	326			8.0
	QG	-	MQ	-	180	23				7.3
	QG	-	MQ	-	182	24				7.4
	QG	-	MQ	-	460	29				8.9
	QG	-	MQ	-	461	30	461			8.9
	QG	-	MQ	-	462	31				8.9
	QG	-	MQ	-	803	32				8.3
	QG	-	MQ	-	801	33				8.3
	QG	-	MQ	-	802	34				8.3
	QG	-	MQ	-	486	38				8.2
	QG	-	MQ	-	463	40				8.10
	QG	-	MQ	-	187	48				7.5
	QG	-	MQ	-	188	49				7.6
	QG	-	MQ	-	175	50				7.13
	QG	-	MQ	-	177	51				7.13
	QG	-	MQ	-	176	52				7.14
	QG	-	MQ	-	178	53				7.14
	QG	-	MQ	-	191	56				7.16
	QG	-	MQ	-	192	57				7.16
	QG	-	MQ	-	543	64	541			9.17
	QG	-	MQ	-	804	73	804			8.4
	QG	-	MQ	-	563	84	561			11.14
	QG	-	MQ	-	11	3	11			6.15
	QG	-	MQ	6	17	4	17			6.15
	QG	-	MQ	6	MJ	4	MJ			6.17
	QG	-	MQ	6	300	4	325			6.2
	QG	-	MQ	6	321	5	326			6.2
	QG	-	MQ	6	308	20	309			6.17
	QG	-	MQ	6	308	47				6.17

LEGEND

MASTER

ITEM	DESCRIPTION	SHEET	Q.ty
C1	POWER FACTOR CORRECTION	3	1
C2	POWER FACTOR CORRECTION	3	1
CP1	ANALOG-DIGITAL INPUTS BOARD	8	1
CP2	ECONOMIZER KIT AND ADDITIONAL HARDWARE EXP BOARD 1	14	1
DRV1	SPEEDTROL	4	1
DRV2	SPEEDTROL	5	1
ESV1	ECONOMIZER SOLENOID VALVE COMP.1	14	1
ESV2	ECONOMIZER SOLENOID VALVE COMP.2	14	1
EV bat.1	ELECTRONIC EXPANSION BATTERY VALVE	7	1
EV bat.2	ELECTRONIC EXPANSION BATTERY VALVE	7	1
EXB2	HEAT RECOVERY CONTROL EXPANSION BOARD 2	15	1
EXB3	WATER PUMP CONTROL EXPANSION BOARD 3	16	1
EXB4	FAN STEP CONTROL EXPANSION BOARD 4	17	1
EXV.1	ELECTRONIC EXPANSION VALVE	7	1
EXV.2	ELECTRONIC EXPANSION VALVE	7	1
EXVB.1	ELECTRONIC EXPANSION VALVE BOARD	7	1
EXVB.2	ELECTRONIC EXPANSION VALVE BOARD	7	1
F1	COMPRESSOR FUSES	2	1
F2	COMPRESSOR FUSES	2	1
F9	PUMP FUSES	3	1
F10	FUSES	2	1
F12	PRESSURE SWITCH	14	1
F13	HIGH PRESSURE SWITCH	9	1
F20	FUSES	2	1
F22	PRESSURE SWITCH	14	1
F23	HIGH PRESSURE SWITCH	11	1
F51	THERMAL RELAY	2	1
F52	THERMAL RELAY	2	1
F58	PUMP HEATER FUSE	13	1
F59	EVAPORATOR HEATER FUSE	6	1
F60	PROTECTION AUX CIRCUIT FUSE	6	1
F61	PROTECTION AUXILIARY CIRCUIT FUSE	7	1
F63	PROTECTION AUXILIARY CIRCUIT	14	1
F64	PROTECTION AUXILIARY CIRCUIT FUSE	7	1
F70	PUMP MAGNETOTHERMAL	3	1
F72	PROTECTION AUXILIARY CIRCUIT	15	1
F73	PROTECTION AUXILIARY CIRCUIT	16	1
F74	PROTECTION AUXILIARY CIRCUIT	17	1
F80	PUMP MAGNETOTHERMAL	3	1
F90	THERMOSTAT	13	1
F9A	PUMP FUSES	3	1
F100	FAN FUSES	4	1
F112	PHASE VOLT MONITOR	6	1
F120	TRANSFORMER 1 PROTECTION	6	1
F130	PHASE VOLT MONITOR FUSE	6	1

LEGEND

MASTER

ITEM	DESCRIPTION	SHEET	Q.ty
F200	FAN FUSES	5	1
F12A	PHASE VOLT MONITOR	6	1
F130A	PHASE VOLT MONITOR FUSE	6	1
FC1	POWER FACTOR COMPRESSOR FUSES 1	3	1
FC2	POWER FACTOR COMPRESSOR FUSES 2	3	1
K1	AUXILIARY RELAY	9	1
K3	AUXILIARY RELAY	11	1
K16	FAN MOTOR CONTACTOR	10	1
K26	FAN MOTOR CONTACTOR	12	1
KM2	COMPRESSOR CONTACTORS	9	1
KM4	COMPRESSOR CONTACTORS	11	1
KM10	POWER FACTOR CORRECTION CONTACTORS	9	1
KM20	POWER FACTOR CORRECTION CONTACTORS	11	1
KM51	PRIMARY PUMP CONTACTOR	13	1
KM55	COMPRESSOR CONTACTORS	9	1
KM61	SECONDARY PUMP CONTACTOR	13	1
KM65	COMPRESSOR CONTACTORS	11	1
KT1	TIME DELAY RELAY	9	1
KT2	TIME DELAY RELAY	11	1
M1	COMPRESSOR 1	2	1
M2	COMPRESSOR 2	2	1
M10	FORCED VENTILATION	13	1
M11	FAN MOTOR	4	1
M12	FAN MOTOR	4	1
M13	FAN MOTOR	4	1
M14	FAN MOTOR	4	1
M15	FAN MOTOR	4	1
M21	FAN MOTOR	5	1
M22	FAN MOTOR	5	1
M23	FAN MOTOR	5	1
M24	FAN MOTOR	5	1
M25	FAN MOTOR	5	1
MP1	MOTOR THERMAL PROTECTION 1	2	1
MP2	MOTOR THERMAL PROTECTION 2	2	1
P1	PUMP 1	3	1
P2	PUMP 2	3	1
Q0	ON-OFF UNIT SWITCH	8	1
Q1	ON-OFF COMPRESSOR SWITCH	8	1
Q2	ON-OFF COMPRESSOR SWITCH	8	1
Q7	ON-OFF SWITCH	15	1
Q10	MAIN SWITCH	2	1
Q12	AUTOMATIC CIRCUIT BREAKER	6	1
Q15	FAN CIRCUIT BREAKER	4	1
Q16	FAN CIRCUIT BREAKER	4	1
Q17	FAN CIRCUIT BREAKER	4	1

LEGEND

MASTER

ITEM	DESCRIPTION	SHEET	Q.ty
Q18	FAN CIRCUIT BREAKER	4	1
Q19	FAN CIRCUIT BREAKER	4	1
Q25	FAN CIRCUIT BREAKER	5	1
Q26	FAN CIRCUIT BREAKER	5	1
Q27	FAN CIRCUIT BREAKER	5	1
Q28	FAN CIRCUIT BREAKER	5	1
Q29	FAN CIRCUIT BREAKER	5	1
QC1	THERMAL RELAY	3	1
QC2	THERMAL RELAY	3	1
R1	COMPRESSOR CRANKCASE HEATER CIRC.1	2	1
R2	COMPRESSOR CRANKCASE HEATER CIRC.2	2	1
R5	EVAPORATOR HEATER	6	1
R10	PUMP HEATER	13	1
SC	CURRENT LIMIT	6	1
ST1	SUCTION TEMPERATURE SENSOR CIRC. 1	7	1
ST2	SUCTION TEMPERATURE SENSOR CIRC. 2	7	1
T1	400/115v TRANSFORMER	6	1
T2	230v/24v TRANSFORMER	6	1
TA4	AMMETER TRANSFORMER	6	1
TC	TERMOSTAT	6	1
TC3	TERMOSTAT	13	1
W1	COMPRESSOR THERMISTORS 1	2	1
W2	COMPRESSOR THERMISTORS 2	2	1
W10	ENTERING HR WATER SENSOR	15	1
W11	LEAVING HR WATER SENSOR	15	1
WAA	AIR AMBIENT	15	1
WD1	DISCHARGE SENSOR CIR. 1	8	1
WD2	DISCHARGE SENSOR CIR. 2	8	1
WH1	HIGH PRESSURE TRANSDUCER CIR.1	8	1
WH2	HIGH PRESSURE TRANSDUCER CIR.2	8	1
WIE	ENTERING EVAPORATOR WATER SENSOR	8	1
WL1	LOW PRESSURE TRANSDUCER CIR. 1	7	1
WL2	LOW PRESSURE TRANSDUCER CIR. 2	7	1
W01	OIL PRESSURE TRANSDUCER CIR.1	8	1
W02	OIL PRESSURE TRANSDUCER CIR.2	8	1
W0E	LEAVING EVAPORATOR WATER SENSOR	8	1
Y5	LIQUID INJECTION SOLENOID VALVE CIRC.1	9	1
Y6	LIQUID INJECTION SOLENOID VALVE CIRC. 2	11	1
Y12	LOADER SOLENOID VALVE CIRC.1	9	1
Y13	UNLOADER SOLENOID VALVE CIRC. 1	9	1
Y18	4 WAY VALVE COMP.1	15	1
Y22	LOADER SOLENOID VALVE CIRC.2	11	1
Y23	UNLOADER SOLENOID VALVE CIRC. 2	11	1
Y28	4 WAY VALVE COMP. 2	15	1

1 | 2 | 3 | 4 | 5 | 6 | 7 | 8 | 9 | 10 | 11 | 12 | 13 | 14 | 15 | 16 | 17 | 18 | 19 | 20

Standard compressor			
FUSES + OVERCURRENT	3118	3120	3121
F1	100 A	100 A	125 A
F2	100 A	100 A	125 A
F51	49 A	49 A	65 A
F52	49 A	49 A	65 A

Standard fan			
FUSES + OVERCURRENT	FANS-TEC 0700	FANS-TEC 0700	
	6P (HIGH SPEED)	8P (LOW SPEED)	
F100	20 A	20 A	
F200	20 A	20 A	
Q15+22	2,7 A	1,6 A	
Q25+32	2,7 A	1,6 A	



OPTIONAL EQUIPMENT



EQUIPMENT INSTALLED

FIELD WIRING CONNECTIONS

- ⑦ FIRST PUMP ALARM
- ⑧ SECONDARY PUMP ALARM

(\*) REMOVE THIS WIRE OR MU IF THE OPTION IS REQUESTED



ELECTRICAL EQUIPMENT  
INSTALLED ON COMPRESSOR  
TERMINALS BOX

⑨ MANUAL RESET

**LIST OF OPTIONS**

① HIGH SPEED FAN CONNECTIONS  
ST VERSION  
N VERSION

② LOW SPEED FAN CONNECTIONS  
LN - XN - XXN VERSION  
N - Q VERSION

③ INSTALL WITH EXPANSION BOARD ONLY

④ INSTALL WITH SECONDARY PUMP ONLY

⑤ INSTALL WITH "LOW PRESSURE SWITCH" ONLY

⑥ INSTALL WITH "COMP. ALARM KIT" ONLY

⑦ INSTALL WITH "HEAT RECOVERY KIT"

⑧ INSTALL WITH "SPN76"

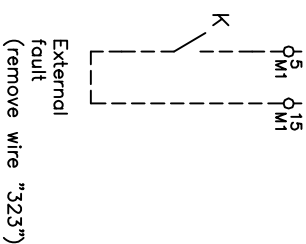
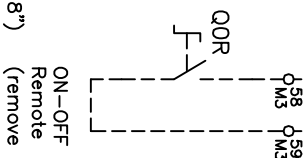
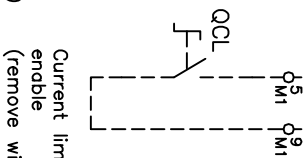
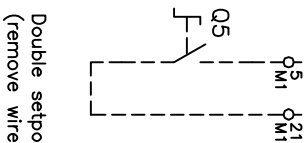
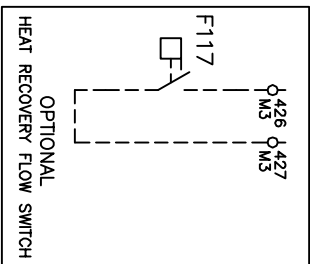
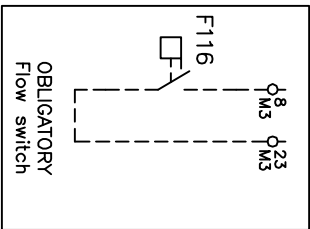
Standard pumps					
FUSES + OVERCURRENT	1,5 kW	2,2 kW	3 kW	4 kW	5,5 kW
F9	16 A	20 A	25 A	35 A	35 A
F9A	16 A	20 A	25 A	35 A	35 A
F70	3,5 A	5 A	6,5 A	8,5 A	11,5 A
F80	3,5 A	5 A	6,5 A	8,5 A	11,5 A

Option	Description
OPBT	Buffer tank
OPLA	Low Ambient
OPPF	Power Factor Correction
OPSC	Single Contact
OPSP	Single Pump
OPTP	Twin Pump or Ducl Pump
OPTR	Total Recovery
OP57	A/V Meter
SPN11	Thermal Relay
SPN15a	Variable Phase monitor
SPN19	Current limit
SPN76	OAT Sensor
SPN79	External Fault Alarm
SPN95	Forced Ventilatin
SPN96	Anticondensate Heater

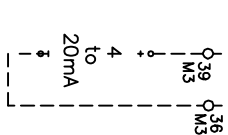
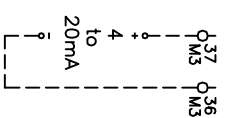
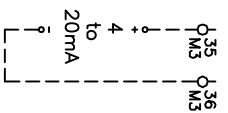
1 | 2 | 3 | 4 | 5 | 6 | 7 | 8 | 9 | 10 | 11 | 12 | 13 | 14 | 15 | 16 | 17 | 18 | 19 | 20

1 | 2 | 3 | 4 | 5 | 6 | 7 | 8 | 9 | 10 | 11 | 12 | 13 | 14 | 15 | 16 | 17 | 18 | 19 | 20

Digital input terminals

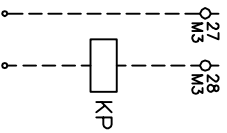


Analog input terminals



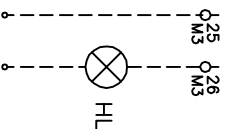
Digital output terminals

Pump contact  
Maximum load:  
2A-230VAC



External  
power supply  
(ex 24VAC or 230VAC)

Alarm NO (default)  
Maximum load:  
2A-230VAC



External  
power supply  
(ex 24VAC or 230VAC)

1 | 2 | 3 | 4 | 5 | 6 | 7 | 8 | 9 | 10 | 11 | 12 | 13 | 14 | 15 | 16 | 17 | 18 | 19 | 20