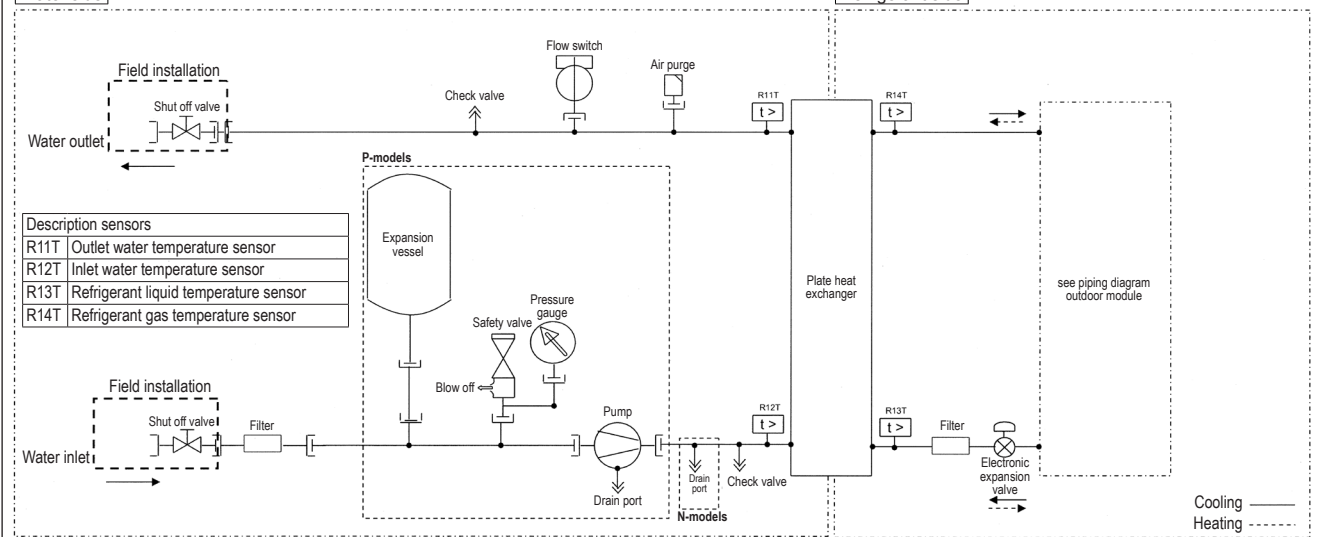


Overview		Small inverter chiller - Outdoor module combination						
		Single circuit				Double circuit		
Outdoor module piping diagram		16kW	21kW	25kW	32kW	40kW	50kW	64kW
C/O	4TW27315-1	•						
	4TW27325-1		•			•		
	4TW27255-1			•			•	
	4TW27345-1				•			•
H/P	4TW27245-1	•						
	4TW27255-1		•	•		•	•	
	4TW27275-1				•			•

## Single circuit

## Water side

## Refrigerant side



Cooling ———  
Heating - - - - -