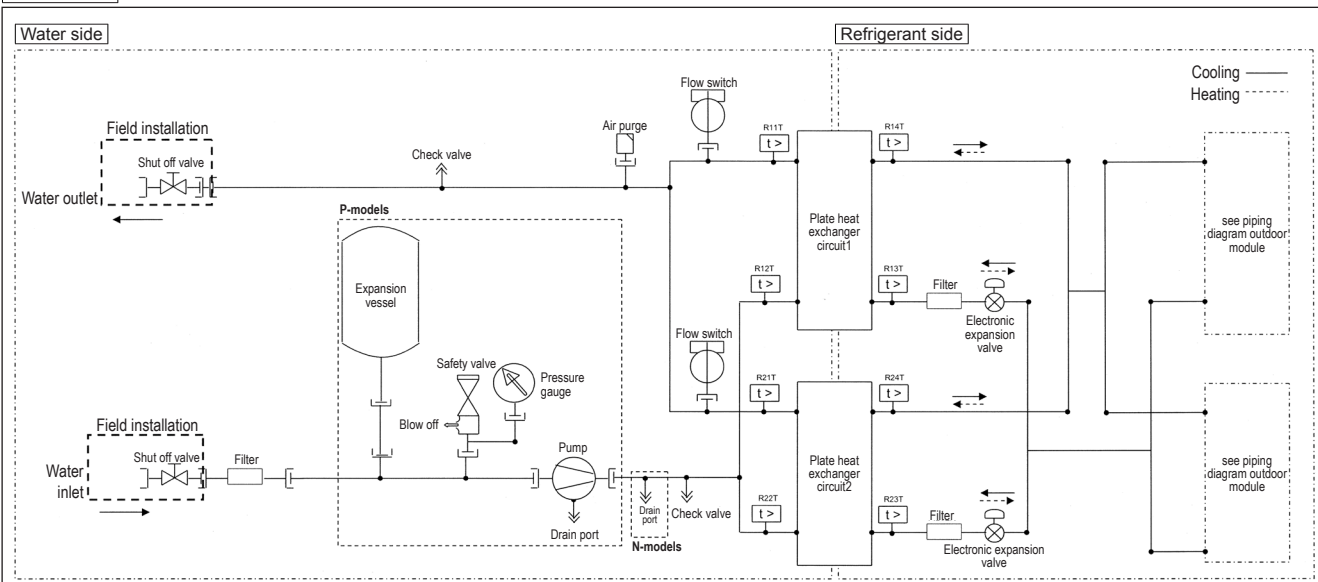


Double circuit



Description sensors circuit 1

| | |
|------|---------------------------------------|
| R11T | Outlet water temperature sensor |
| R12T | Inlet water temperature sensor |
| R13T | Refrigerant liquid temperature sensor |
| R14T | Refrigerant gas temperature sensor |

Description sensors circuit 1

| | |
|------|---------------------------------------|
| R21T | Outlet water temperature sensor |
| R22T | Inlet water temperature sensor |
| R23T | Refrigerant liquid temperature sensor |
| R24T | Refrigerant gas temperature sensor |

Check valve

Flare conn.

Screw conn.

Flange conn.

Pinched pipe

Spinned pipe