

1 Caution Before Installation Of Unit

- Do the following checks before installation and operation.
- Have adequate space for installation and maintenance. Please refer to the unit size (figure 1) and the correction diagram. (Figure 2: Gaps around the unit show the required minimum space.)
- Make sure you have adequate space for piping and electrical connections.
- Make sure that the carrier rods can withstand the weight of the unit.
- For proper operation of the unit and the condensed water discharge, installation of the unit should be done horizontally.
- Channel external static pressure is designed to be within the range of static pressure.
- The installer must supply service valves and insulation for water piping in accordance with the local code and regulation.
- Before installation and service transactions are done, main switch of the unit should be verified in switch off position.

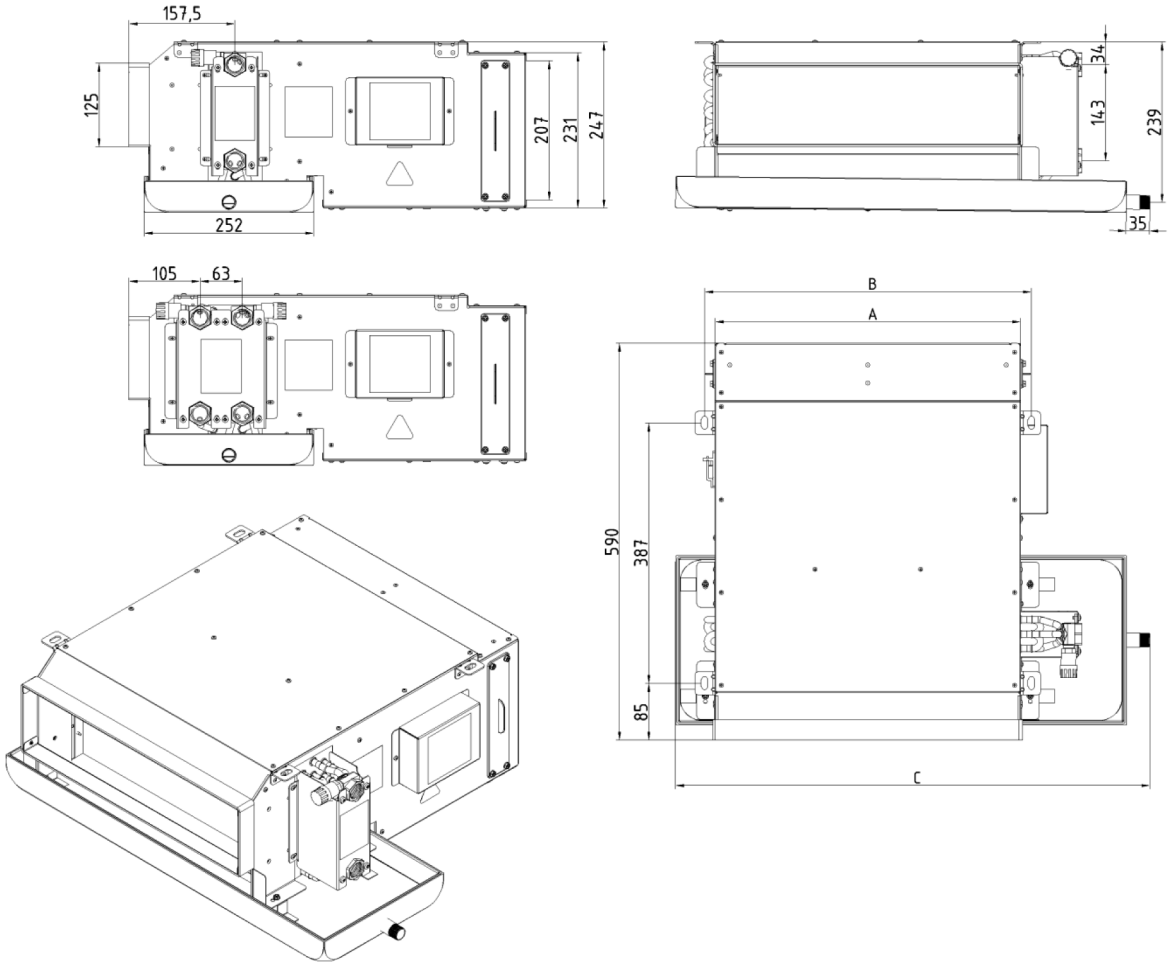


Figure 1

Unit dimensions						
Model	A (mm)	B (mm)	C (mm)	Water Inlet (Inch)	Water Outlet (Inch)	Drain (Inch)
FWE02C5(T/F)V1B	454	486	705	R3/4"	R3/4"	R3/4"
FWE03C5(T/F)V1B	629	661	875	R3/4"	R3/4"	R3/4"
FWE04C5(T/F)V1B	759	791	1005	R3/4"	R3/4"	R3/4"
FWE06C5(T/F)V1B	959	991	1205	R3/4"	R3/4"	R3/4"
FWE07C5(T/F)V1B	1209	1241	1455	R3/4"	R3/4"	R3/4"
FWE08C5(T/F)V1B	1309	1341	1555	R3/4"	R3/4"	R3/4"
FWE10C5(T/F)V1B	1569	1601	1815	R3/4"	R3/4"	R3/4"