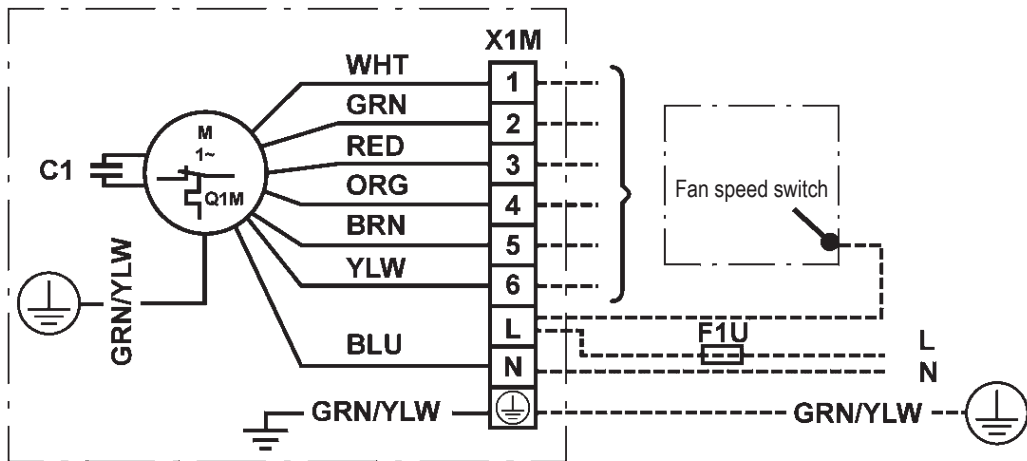


Wiring diagram

FWE-DT
FWE-DTR
FWE-DF
FWE-DFR



NOTES

----- Field wiring
M Fan motor
F1U Fuse
X1M Terminal strip
1 Lowest speed
6 Highest speed

L AC system supply
N Neutral
C1 Capacitor
⊕ Protector earth
⊥ Earth
Q1M Self-operating thermal protector

WHT White
GRN Green
RED Red
ORG Orange
BRN Brown
YLW Yellow
BLU Blue
GRN/YLW Green / Yellow

* For the power requirements, refer to the name plate.