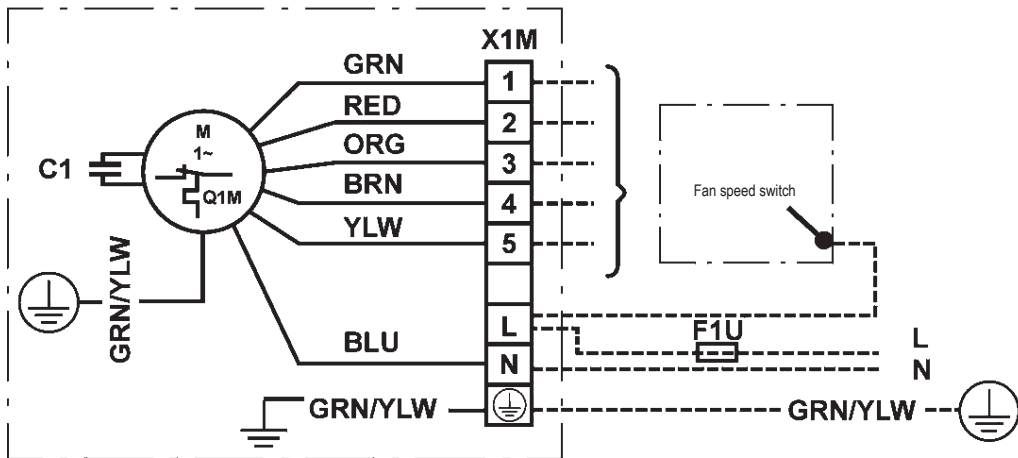


FWE-DT
 FWE-DTR
 FWE-DF
 FWE-DFR

Wiring diagram



NOTES

----- Field wiring
 M Fan motor
 F1U Fuse
 X1M Terminal strip
 1 Lowest speed
 5 Highest speed

L AC system supply
 N Neutral
 C1 Capacitor
 ⊕ Protector earth
 ↓ Earth
 Q1M Self-operating thermal protector

WHT White
 RED Red
 ORG Orange
 BRN Brown
 YLW Yellow
 BLU Blue
 GRN/YLW Green / Yellow

* For the power requirements, refer to the name plate.