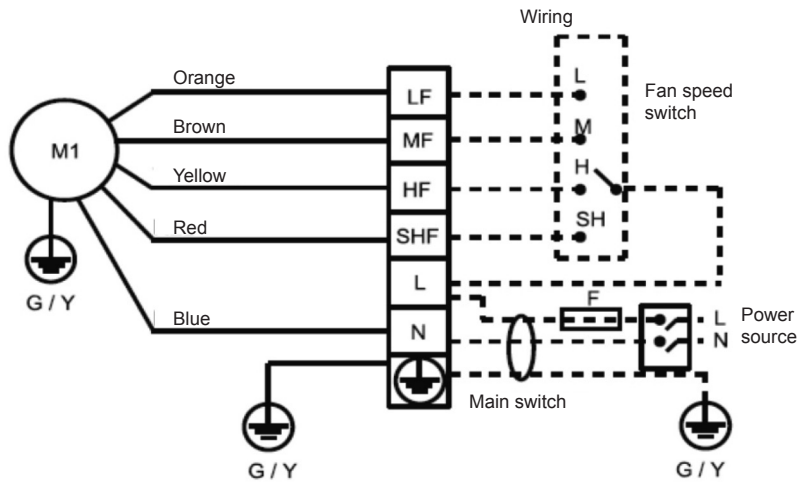


FWE (02-03-04-06)C5(T/F)V1  
 Electrical circuit diagram



## NOTES

- = Field wiring
- M1, M2 = Fan motor
- G/Y = Green/Yellow
- F = Fuse
- LF = Low speed
- MF = Medium speed
- HF = High speed
- SHF = Super high speed