


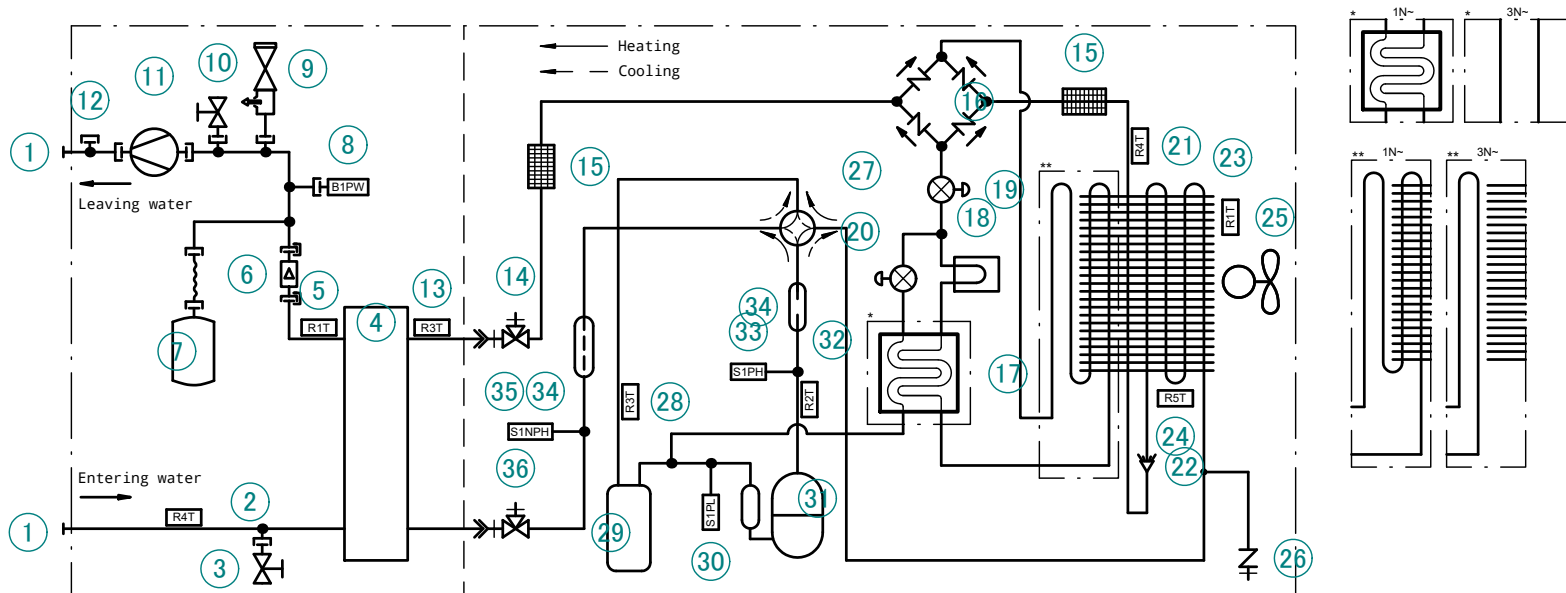
 Screw connection	 Braze connection
 Quick coupling	 Flare connection



- |   |  |
|---|--|
| <ul style="list-style-type: none"> <li>① Screw connection ·1"·M·</li> <li>② R4T- Inlet water thermistor</li> <li>③ Drain valve water circuit</li> <li>④ Plate heat exchanger</li> <li>⑤ R1T- Outlet water heat exchanger thermistor</li> <li>⑥ Flow sensor</li> <li>⑦ Expansion vessel</li> <li>⑧ Space heating water pressure sensor</li> <li>⑨ Safety valve</li> <li>⑩ Manual air purge valve</li> <li>⑪ Pump</li> <li>⑫ Connection for optional flow switch</li> <li>⑬ R3T- Refrigerant liquid side thermistor</li> <li>⑭ Liquid stop valve with service port</li> </ul> | <ul style="list-style-type: none"> <li>⑮ Filter</li> <li>⑯ Rectifier</li> <li>⑰ Economiser</li> <li>⑱ Heat sink</li> <li>⑲ Electronic expansion valve (main)</li> <li>⑳ Electronic expansion valve (injection)</li> <li>㉑ R4T- Thermistor (heat exchanger)</li> <li>㉒ Distributor</li> <li>㉓ Heat exchanger</li> <li>㉔ R5T- Thermistor (heat exchanger middle)</li> <li>㉕ R1T- Outdoor air</li> <li>㉖ Service port ·5/16"· flare</li> <li>㉗ 4-way valve</li> <li>㉘ R3T- Thermistor (suction)</li> <li>㉙ Accumulator</li> <li>㉚ Low pressure switch</li> <li>㉛ Compressor</li> <li>㉜ R2T- Thermistor (discharge)</li> <li>㉝ High pressure switch</li> <li>㉞ Muffler</li> <li>㉟ Pressure sensor</li> <li>㊱ Gas stop valve with service port</li> </ul> |
|---|--|