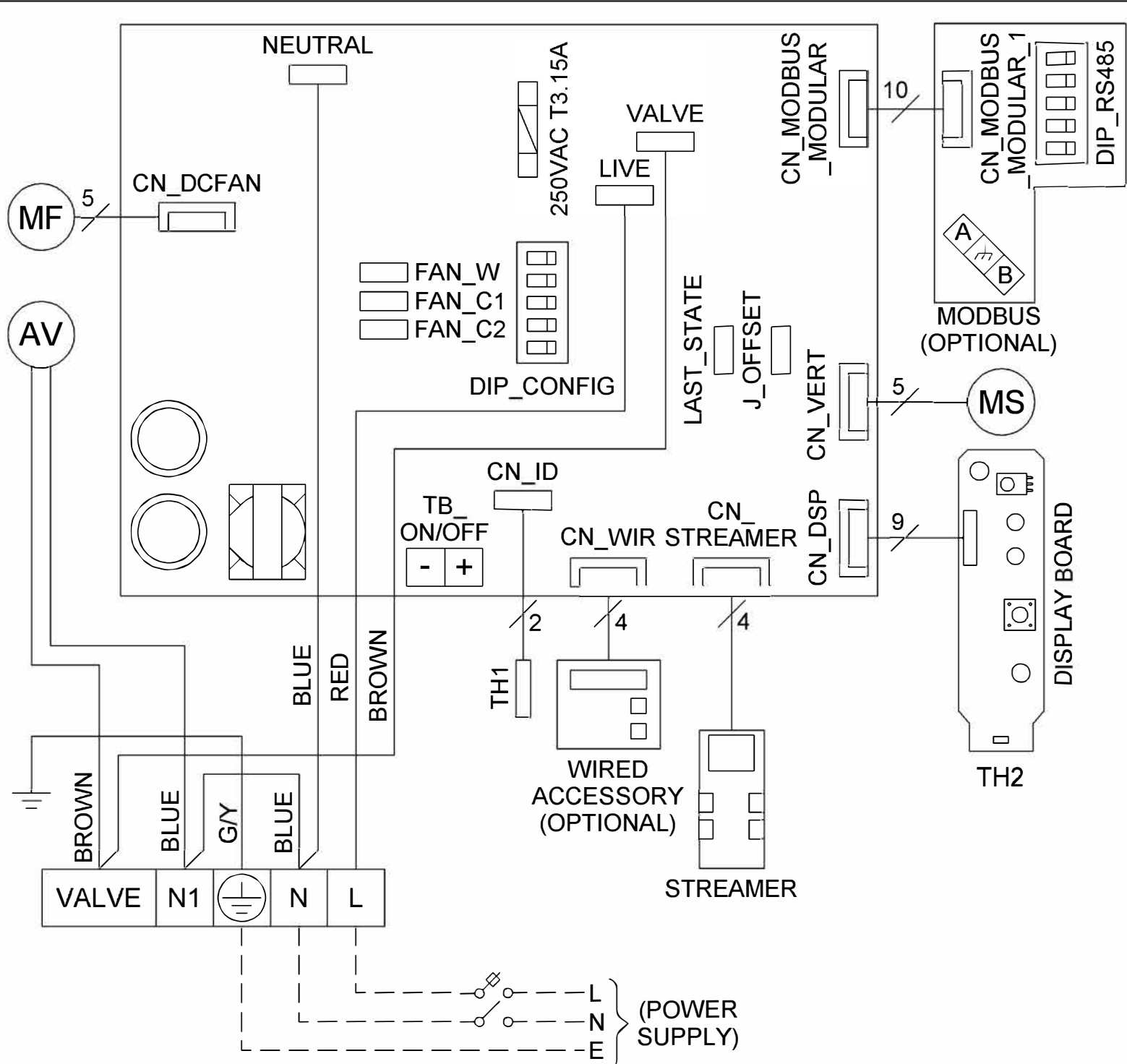


FWT-HTV



NOTATION:

- MF : FAN MOTOR
- MS : AIR SWING MOTOR (UP DOWN)
- AV : ACTUATOR VALVE
- TH1 : INDOOR COIL THERMISTOR
- TH2 : ROOM THERMISTOR
- G/Y : GREEN/YELLOW
- - - : FIELD WIRING
- / N : N INDICATES NUMBER OF WIRES

PART NO.: 3P784913-1