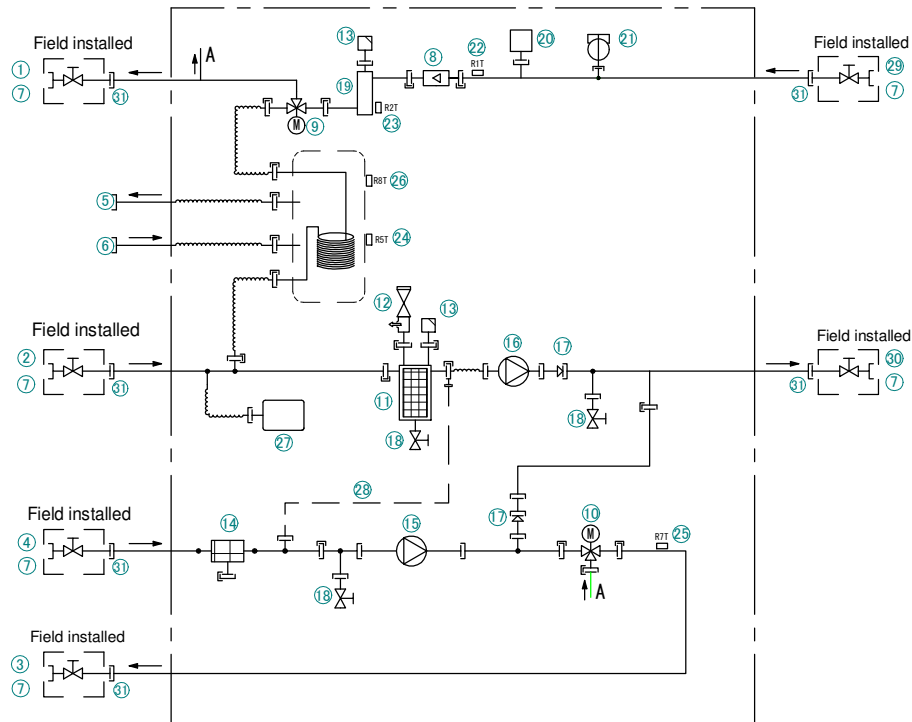


# EAVZ-D6W EAVZ-D9W



- ① Space heating - water OUT (additional/direct zone)
- ② Space heating - water IN (additional/direct zone)
- ③ Space heating - water OUT (main/mixed zone)
- ④ Space heating - water IN (main/mixed zone)
- ⑤ Domestic hot water: hot water out - 3/4"
- ⑥ Domestic hot water: cold water in - 3/4"
- ⑦ Shut-off valve - 1" (male-female)
- ⑧ Flow sensor
- ⑨ 3-way valve (space heating/domestic hot water)
- ⑩ 3-way valve (mixing valve for the main/mixed zone)
- ⑪ Magnetic filter / dirt separator
- ⑫ Safety valve
- ⑬ Air purge
- ⑭ Water filter (main/mixed zone)
- ⑮ Pump (main/mixed zone)
- ⑯ Pump (additional/direct zone)
- ⑰ Check valve
- ⑱ Drain valve
- ⑲ Backup heater
- ⑳ Space heating water pressure sensor
- ㉑ Flow switch
- ㉒ R1T - Inlet water thermistor
- ㉓ R2T - Outlet water backup heater thermistor
- ㉔ R5T - Tank thermistor
- ㉕ R7T - Water outlet thermistor (main/mixed zone)
- ㉖ R8T - Tank thermistor
- ㉗ Expansion vessel
- ㉘ Capillary tube
- Field piping connections
- ㉙ Water in connection - 1"
- ㉚ Water out connection - 1"
- ㉛ Screw connection - 1"

Screw connection	Brazed connection
Quick coupling	Flare connection