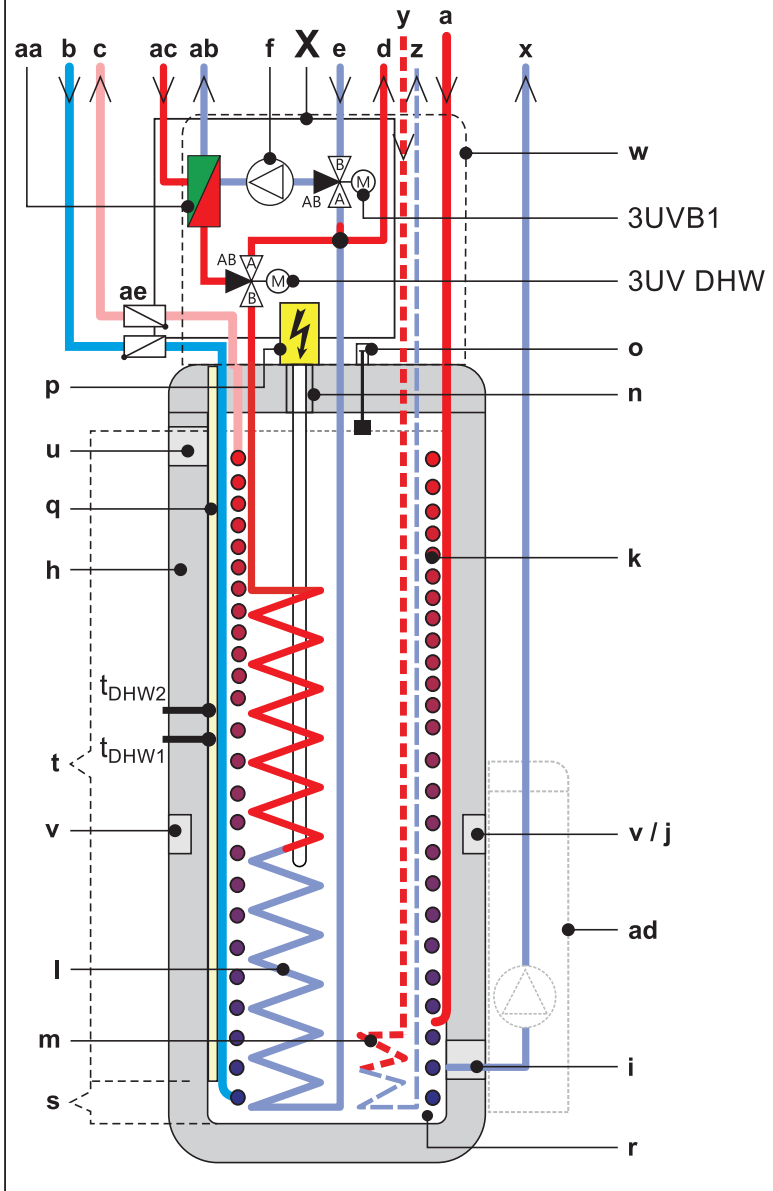
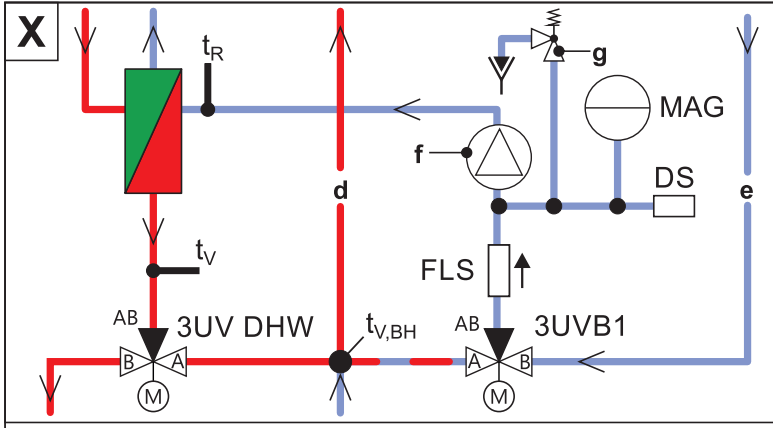


EHSB-D3  
 EHSB-D3  
 EHSB-D3  
 EHSB-D3

**bivalent 300 Litres**



- a Solar flow
  - b Cold water connection
  - c Hot water
  - d Heating flow
  - e Heating return flow
  - f Circulation pump
  - g Pressure relief valve
  - h Storage tank (polypropylene, double-walled jacket with PUR hard foam heat insulation)
  - i Filling and draining connection or solar return flow connection
  - j Mount for solar controller or handle
  - k Heat exchanger (stainless steel) for domestic hot water heating
  - l Heat exchanger (stainless steel) for storage tank charging or heating support
  - m Biv heat exchanger (stainless steel) for charging with external heat generator (e.g. pressurised solar system)
  - n Connection for optional electrical backup heater EKBUxx
  - o Fill level indicator (tank water)
  - p Optional: electric backup heater (EKBUxx)
  - q Submersible sensor sleeve for storage tank temperature sensor  $t_{DHW1}$  and  $t_{DHW2}$
  - r Pressureless storage tank water
  - s Solar zone
  - t Hot water zone
  - u Safety overflow connection
  - v Mount for handle
  - w Protective cover
  - x Solar return flow
  - y Biv flow
  - z Biv return flow
  - aa Plate heat exchanger
  - ab Connection for refrigerant fluid line
  - ac Connection for refrigerant gas line
  - ad Optional: Solar control and pump unit
  - ae Circulation stop valve (accessory)
- 
- 3UVB1** 3-way changeover valve (internal heat generator circuit)
  - 3UV DHW** 3-way changeover valve (hot water/heating)
  - DS** Pressure sensor
  - FLS** FlowSensor
  - MAG** Expansion vessel (field supply)
  - $t_{DHW1}$ ,  $t_{DHW2}$  Storage tank temperature sensor
  - $t_R$  Return temperature sensor
  - $t_{v,BH}$  Backup heater inflow temperature sensor