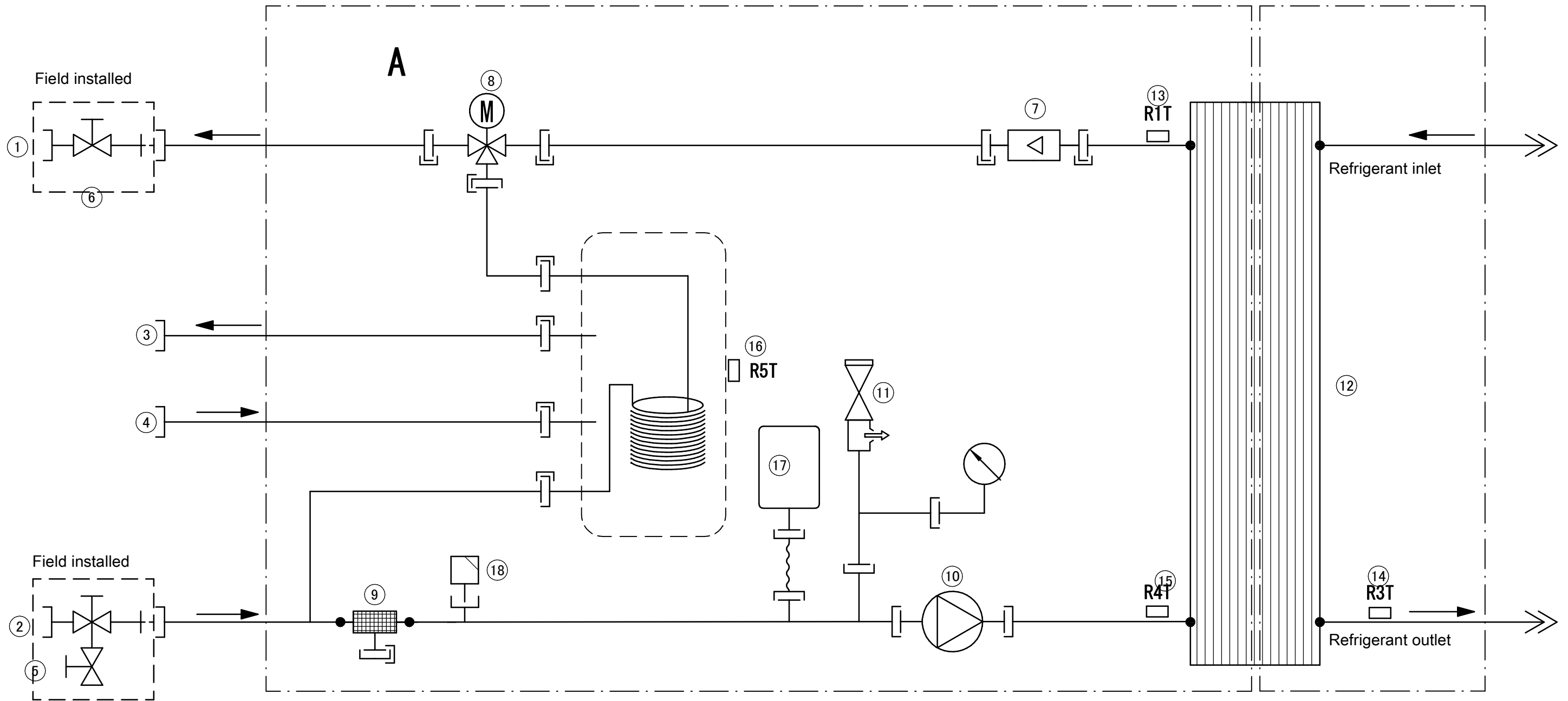


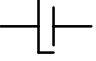
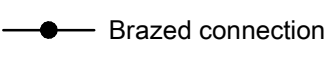

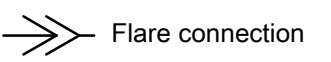
EHVH-CBV

Water side

Refrigerant side



- ① Space heating - water OUT
- ② Space heating - water IN
- ③ Domestic hot water: hot water out
- ④ Domestic hot water: cold water in
- ⑤ Shut-off valve with drain/fill valve
- ⑥ Shut-off valve
- ⑦ Flow sensor
- ⑧ 3-way valve (space heating/domestic hot water)
- ⑨ Water filter
- ⑩ Pump
- ⑪ Safety valve
- ⑫ Plate heat exchanger
- ⑬ R1T - Outlet water heat exchanger thermistor
- ⑭ R3T - Thermistor (heat exchanger, liquid pipe)
- ⑮ R4T - Inlet water thermistor
- ⑯ R5T - Tank thermistor
- ⑰ Expansion vessel
- ⑱ Air purge

 Screw connection	 Brazed connection
 Quick coupling	 Flare connection

3D105906