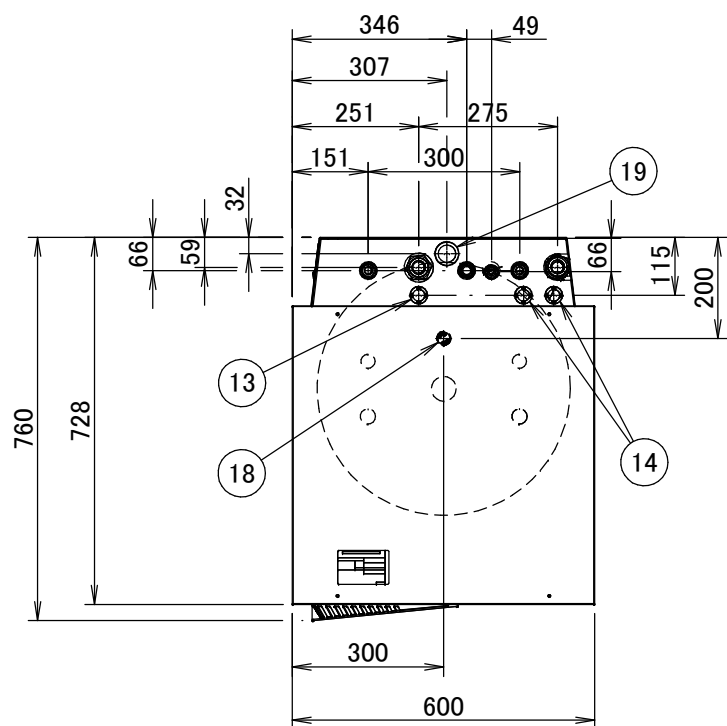
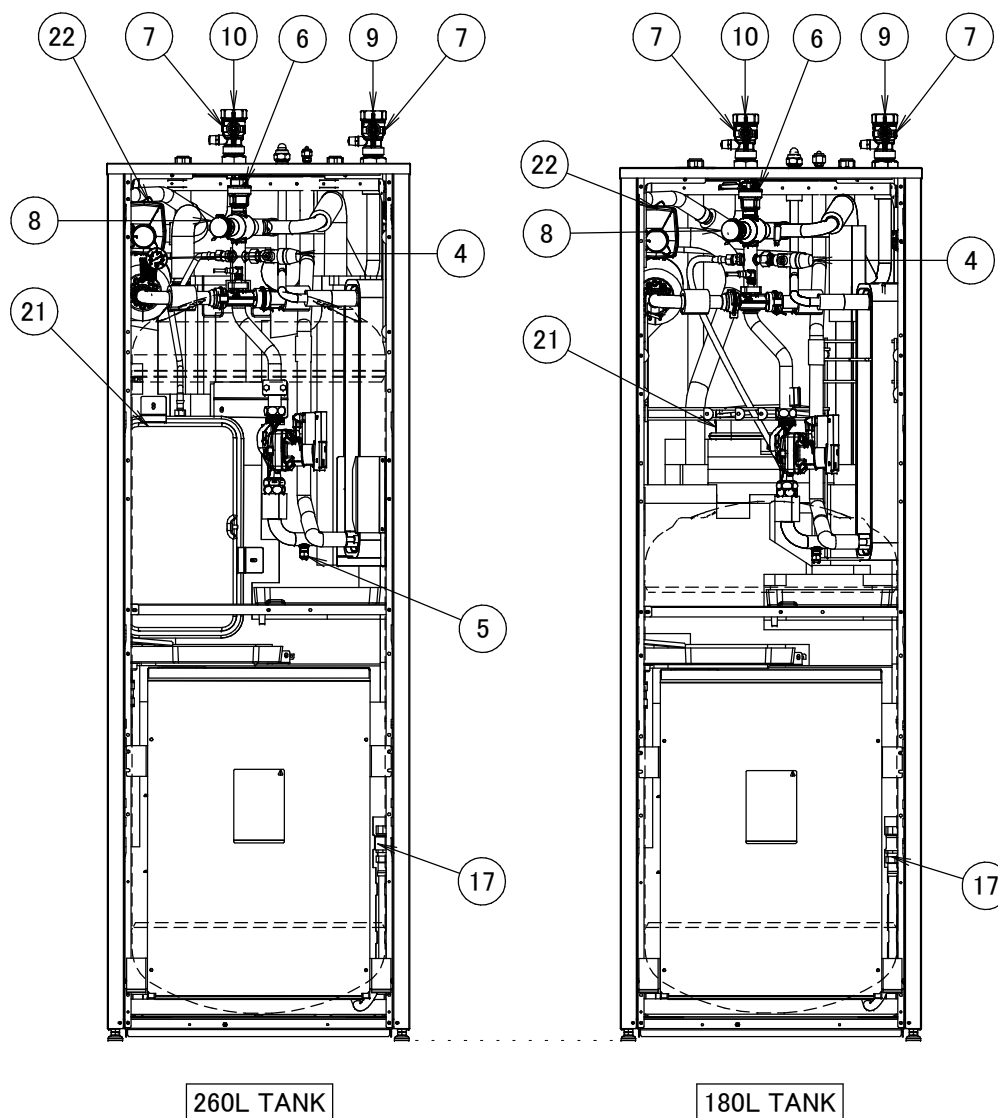
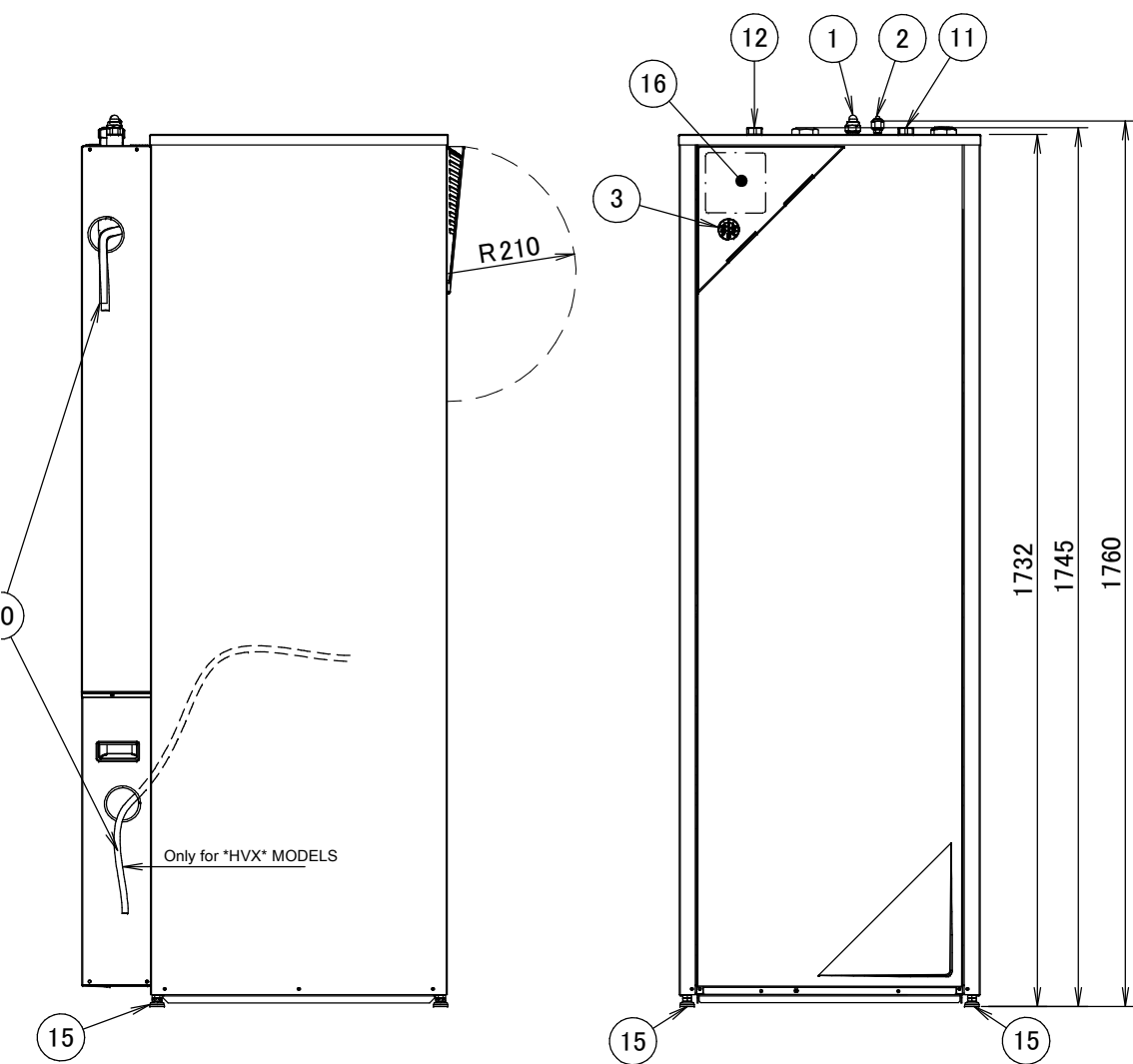


EHVH04-08S18CBV EHVH08S26CBV

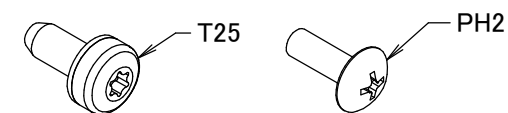
The typical field installation has to be done according to the applicable legislation. For examples, refer to the installer reference guide.



- ① Gas pipe connection Ø15.9 flare
- ② Liquid pipe connection Ø6.35 flare
- ③ Pressure gauge
- ④ Safety valve
- ⑤ Drain valve water circuit
- ⑥ Air purge
- ⑦ Shut-off valve with fill valve (included accessory)
- ⑧ Water filter
- ⑨ Water in connection 1-1/4" F BSP
- ⑩ Water out connection 1-1/4" F BSP
- ⑪ Domestic hot water: cold water in 3/4" F BSP
- ⑫ Domestic hot water: hot water out 3/4" F BSP
- ⑬ Control wiring intake Ø24mm
- ⑭ Power supply wiring intake Ø24mm
- ⑮ Levelling feet
- ⑯ User interface Option kit
- ⑰ Drain valve domestic hot water tank circuit
- ⑱ Recirculation connection G 1/2" (female)
- ⑲ Hole for the recirculation piping or options wiring Ø35
- ⑳ Drain outlet (unit + safety valve)
- ㉑ Expansion vessel
- ㉒ 3-way valve



Screws used in this unit:



3D090548C