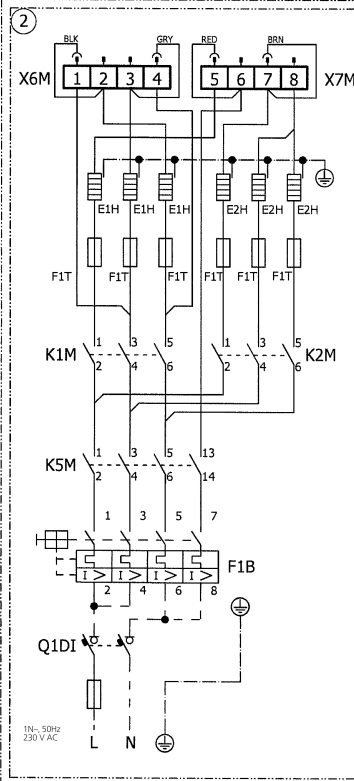
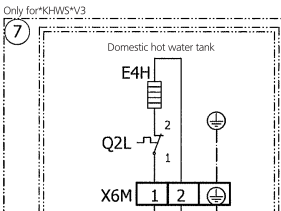
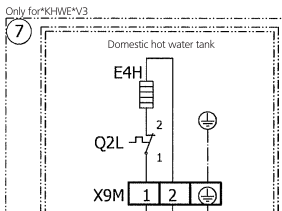
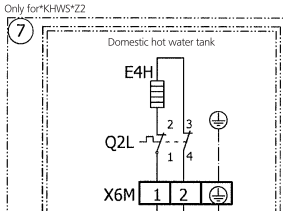
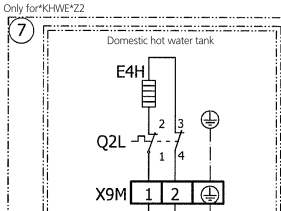
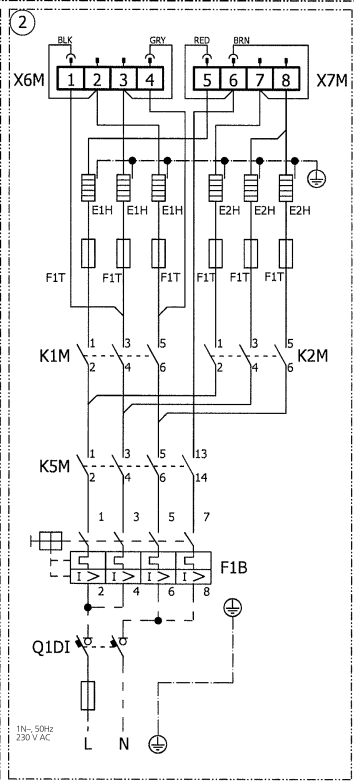


# EHV(H/X)-CB

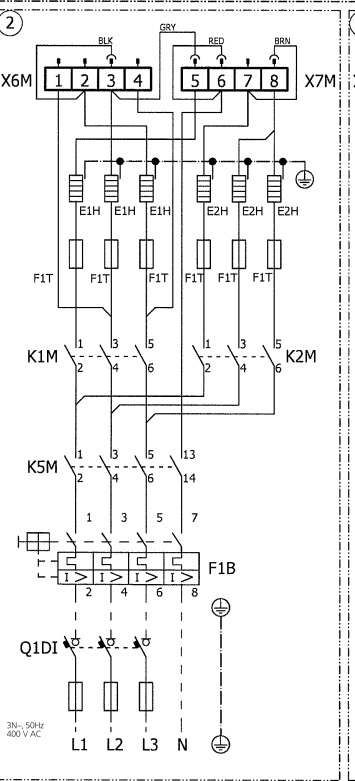
0	1	2	3	4	5	6	7	8	9
---	---	---	---	---	---	---	---	---	---



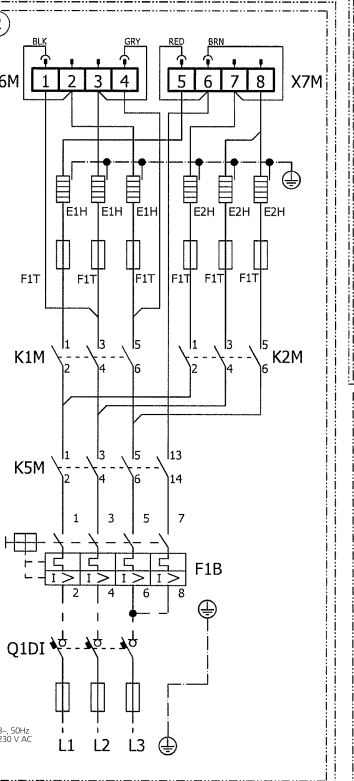
For 3V3 (1N-, 230V, 3 kW)



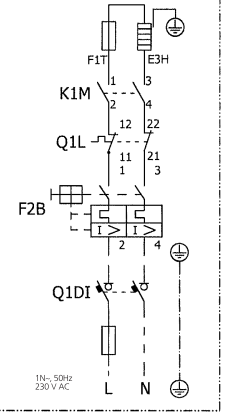
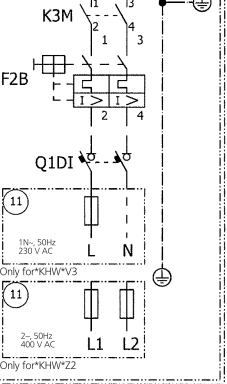
For 6V3 (1N-, 230V, 6 kW)



For 6WN (3N-, 400 V, 6 kW) and 9WN (3N-, 400 V, 9 kW)



For 6T1 (3-, 230V, 6 kW)



Only for\*3V

Only for\*9W