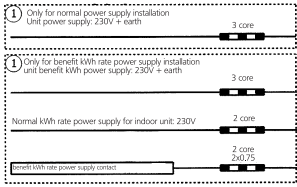


EHYHBH(X)-AV3(2) EHYKOMB-AA*

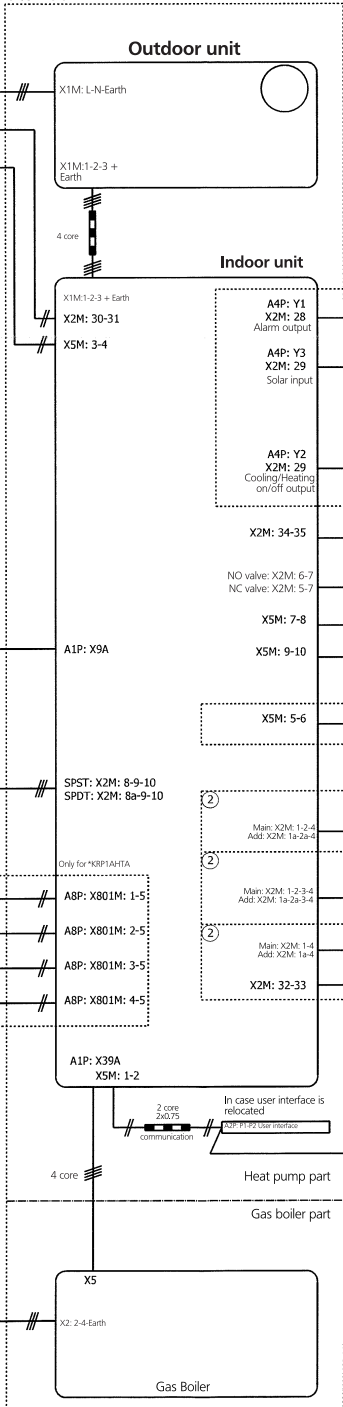
Electrical connection diagram Daikin Altherma Hybrid

For more details please check unit wiring diagram

Power supply



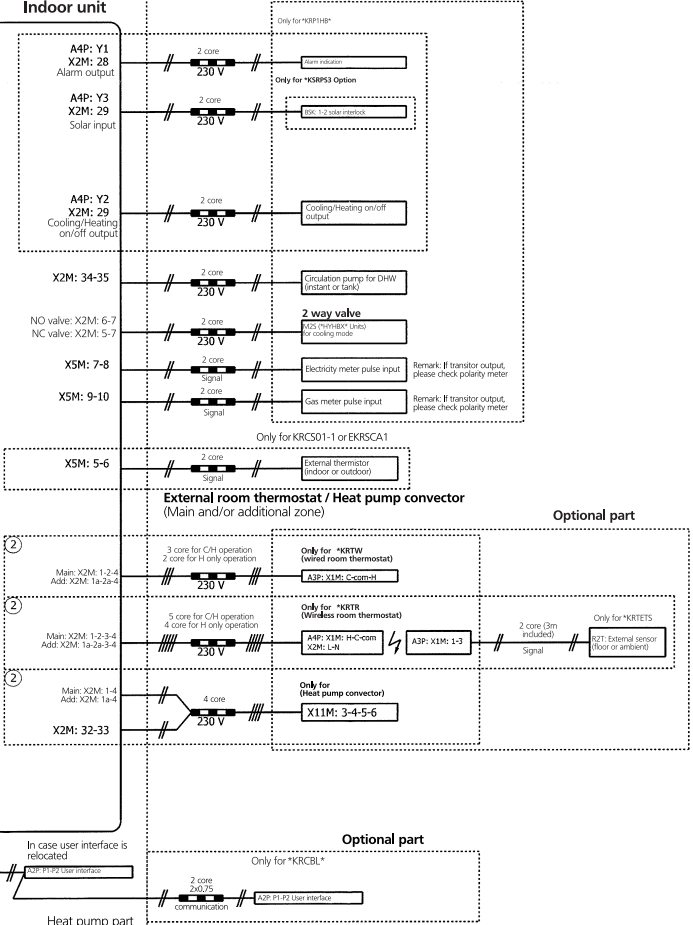
Standard parts



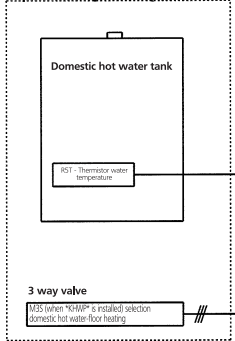
Notes:

- In case of signal cable keep minimum distance to power cables > 5cm
- Field supply:

Field supply



Optional parts (*KHWP*)



Field supply

