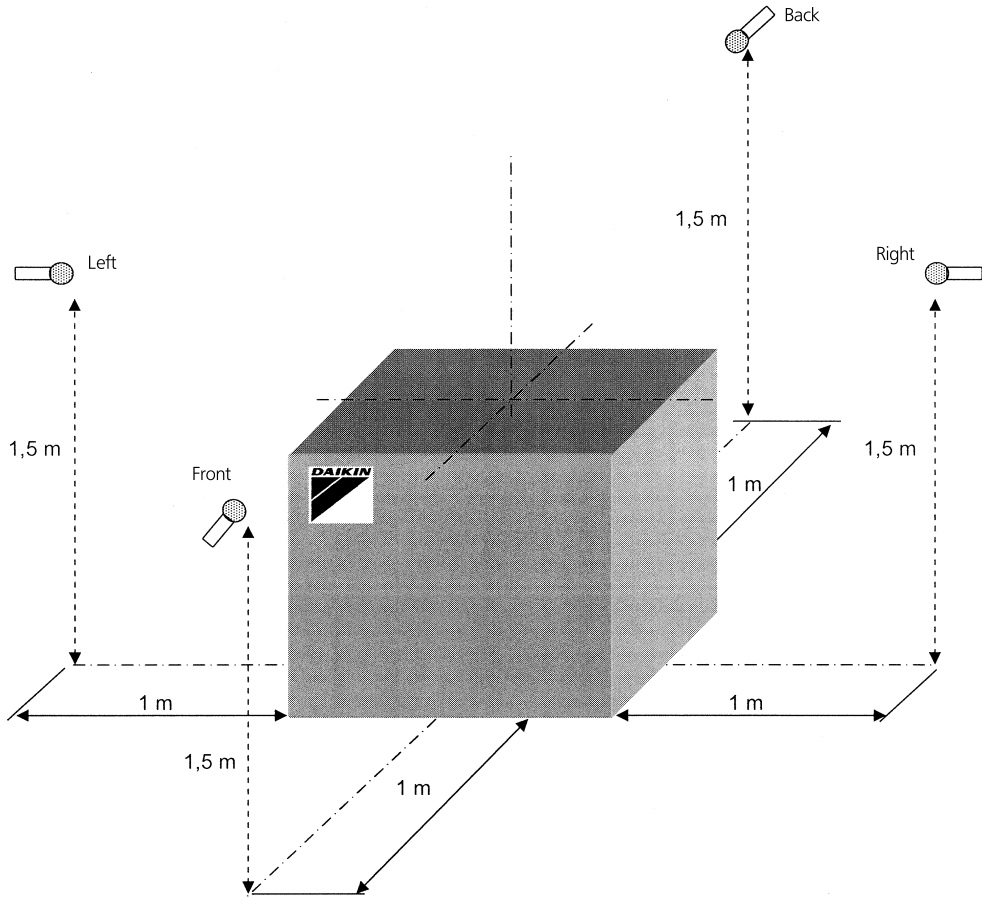


Position of microphones



Sound levels

Sound pressure [dBA]		
	EKHVMYD	
	- [EW/LW 55/65°C] Front	50
Left / Right / Back (*)	40	42
- [EW/LW 70/80°C] Front	40	43
Left / Right / Back (*)	40	42
- [EW/LW 55/65°C] - Low sound mode n°1 Front~Right (*)	38	38

Notes

- The above data is valid in free field condition, because it is measured in a semi-anechoic room. If sound is measured under actual installation conditions, the measured value will be higher due to environmental noise and sound reflections. Choose the installation location carefully and do not install in a sound sensitive environment (e.g. living room, bedroom, ...)
- dB(A) = A-weighted sound pressure level (A-scale according to IEC)
- EW = Entering water temperature - LW = Leaving water temperature
- Reference acoustic pressure  $OdB = 20\mu Pa$
- Sound pressure level of low sound mode n°2 and n°3 is lower than n°1
- (\*) Does not occur simultaneously on all sides.