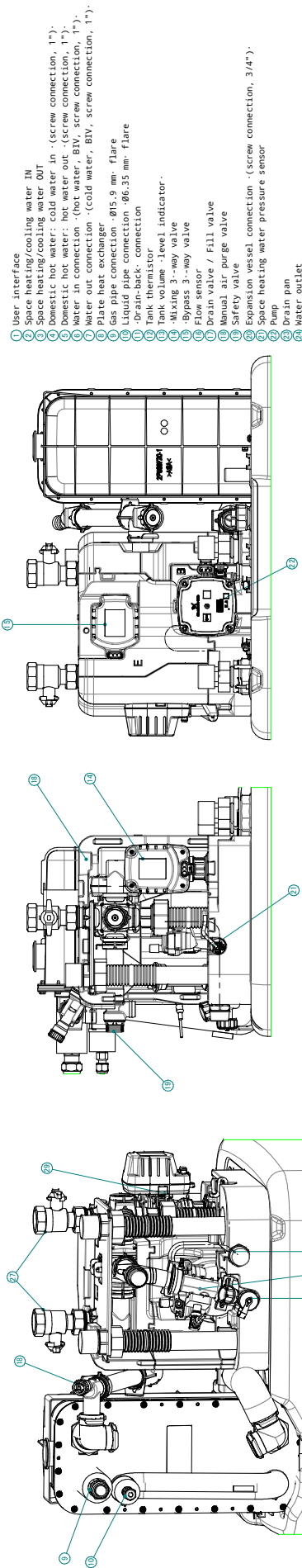
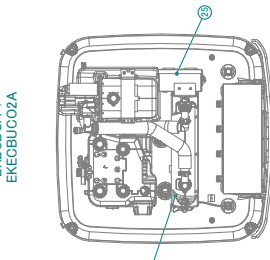


# ELSH-E ELSHB-E ELSX-E ELSX-B-E

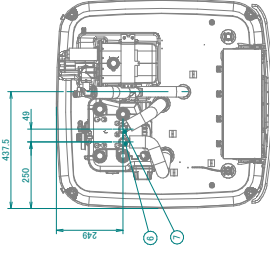


- 1 User interface
- 2 Space heating/cooling water IN
- 3 Space heating/cooling water OUT
- 4 Domestic hot water: cold water in -(screw connection, 1")
- 5 Domestic hot water: hot water out -(screw connection, 1")
- 6 Water in connection -(hot water, BIV, screw connection, 1")
- 7 Water out connection -(cold water, BIV, screw connection, 1")
- 8 Plate heat exchanger
- 9 Gas pipe connection, Ø15, 9 mm - Flare
- 10 Gas pipe connection, Ø15, 9 mm - Flare
- 11 Drain-back connection, Ø6,35 mm - Flare
- 12 Drain-back connection
- 13 Tank thermostat
- 14 Tank volume -level indicator-
- 15 Mixing 3--way valve
- 16 Bypass 3--way valve
- 17 Flow sensor
- 18 Drain valve / Fill valve
- 19 Manual air purge valve
- 20 Safety valve
- 21 Expansion vessel connection (screw connection, 3/4")
- 22 Space heating water pressure sensor
- 23 Pump
- 24 Drain pan
- 25 Water outlet
- 26 Backup heater switch box
- 27 Backup heater
- 28 Shut-off valves
- 29 Switch box
- 30 Automatic air purge valve

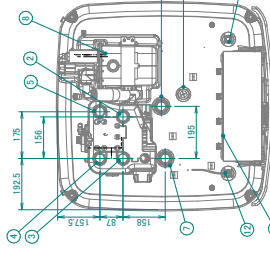
view with option  
EKECBUA\*/  
EKECBUCO2A



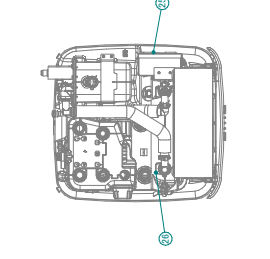
view with option  
EKECDBC02A/  
EKECBIVCO2A



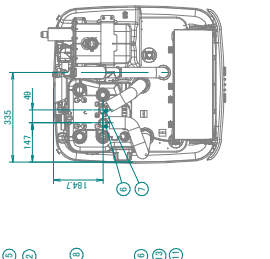
basic unit 500 l



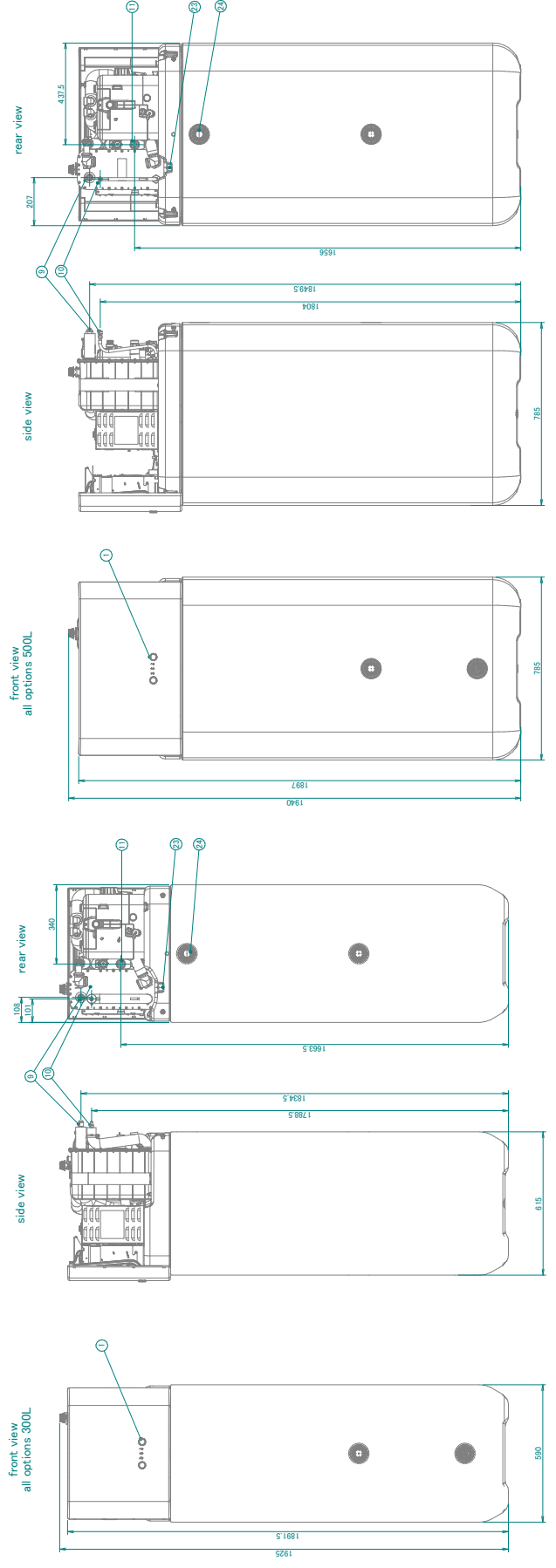
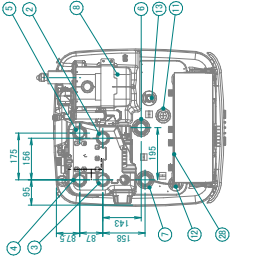
view with option  
EKECBUA\*/  
EKECBUCO2A



view with option  
EKECDBC02A/  
EKECBIVCO2A



basic unit 300 l



The typical field installation has to be done according to the applicable legislation.  
For example, refer to the installer reference guide.