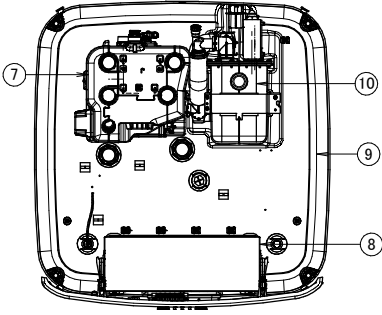
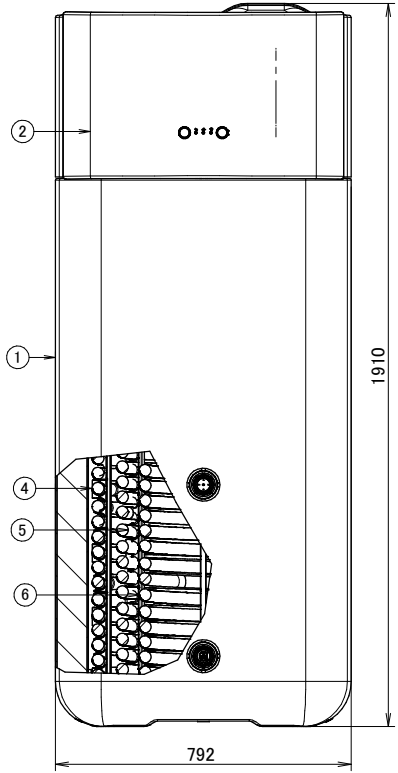
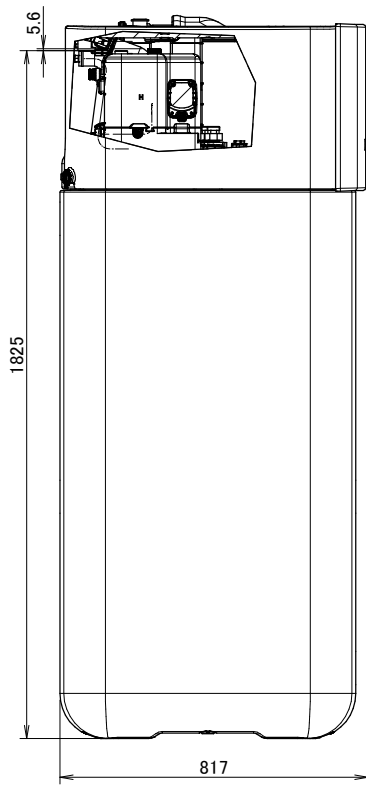
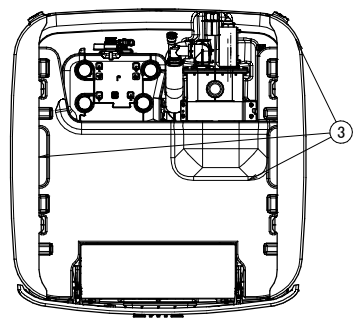


ELSH12P50E
ELSHB12P50E
ELSX12P50E
ELSXB12P50E

- ① 500-l tank
- ② 5xx Front panel
- ③ 5xx Hood
- ④ DHW Heat exchanger
- ⑤ Load Heat exchanger
- ⑥ BIV Heat exchanger
- ⑦ Hydraulics – unmixed pump group
- ⑧ Switch box
- ⑨ 5xx Tank lid
- ⑩ Plate heat exchanger



top view
 without hood



top view