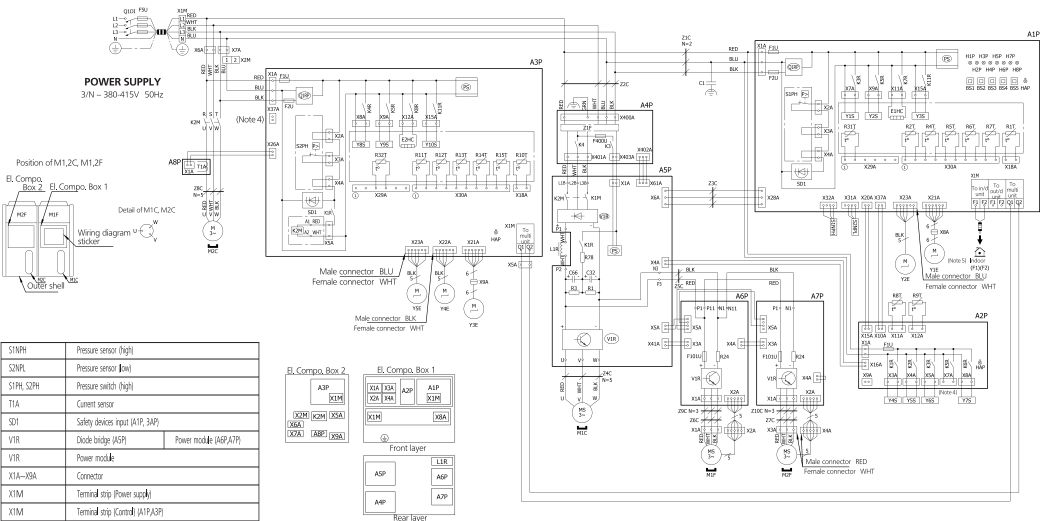


EMRQ8-12A

Printed circuit board			
A1P~A8P	A1P: Main	A8P: Inverter	
	A2P: Sub 1	ASP: A1P Fan	
	A3P: Sub 2	ABP: Current sensor	
	A4P: Noise filter		
B51~B55	Push-button switch (On/Off, int. return, test, reset)		
C1, C32, C36	Capacitor		
E1HC, E2HC	Crankcase heater (A1P, A3P)		
F1U1, F2U	Fan (F, 3.15A, 250W) (A1P, A3P)		
F3U	Fan (F, 3.15A, 250W) (A2P)		
F10U	Fan (BA, DC350V) (A8P, A7P)		
F5U	Fan coil		
F40U	Fan (F, 6.3, 250W)		
H1P~H8P	H1P: Inverter monitor (orange) H2P: Pressure tap → Blowing H3P: Inverter monitor (green) (A1P, A3P, A7P)		
IAP	Inverter (Service monitor green) (A1P, A3P, A7P)		
K3R	Magnetic relay		
K3	Magnetic relay		
K1M, K2M	Magnetic connector (MTC)		
KA	Magnetic connector (MTC)		
K1R~K8R, K1R	Magnetic relay		
	K1R: Y4E (A2P)	K3R: for option (A2P)	
	K1R: K2M (A3P)	K3R: Y5E (A3P)	
	K2R: Y5E	K4R: Y2E	
	K3R: Y1E (A1P)	K7R: E1HC, (A1E)	
	K4R: Y5E (A2P)	K8R: E2HC (A3P)	
	K4R: Y5E	K10R: Y3E (A1E)	
	K5R: Y2E (A1P)	K10R: Y1E (A3P)	
	L1R	Reactor	
	M1C, M2C	Motor Compressor	
	M1F, M2F	Motor Fan	
	P5	Switching power supply (A1P, A3P, A5P)	
Q1U	Earth leakage breaker		
Q1P	Reverse phase detector circuit (A1P, A3P)		
R24	Resistor (current sensor) (A8P, A7P)		
R1, R3	Resistor		
R7R	Resistor (current limiting)		
R1T~R17	Thermostat		
	R1T: Air (A1P)	R9T: Section 1	
	R2T: HE gas 1	R9T: Liquid	
	R3T: MTC Discharge	R10T: Section 2	
	R3T: MTC Discharge	R11T: HE gas 2	
	R4T: HE deion 1	R12T: HE deion 2	
	R5T: Subcool HE gas 1	R13T: Subcool HE gas 2	
	R6T: Subcool HE Liq	R14T: Liquid 2	
	R7T: HE Liquid 1	R15T: HE Liquid 2	
	R11T, R22T		



Notes

- This wiring diagram only applies to the outdoor unit.
- Field wiring
- Terminal strip : Connector
Protective earth (screw) : Terminal
- When using the option adapter, refer to the installation manual
- Refer to the installation manual for connection wiring to indoor - outdoor unit transmission F1-F2 and how to use BS1-B55
- Do not operate the unit by short-circuiting any protection device S1PH, S2PH.
- BLK = Black RED = Red YLW = Yellow WHT = White PNK = Pink
BRN = Brown GRY = Grey GRN = Green ORG = Orange BLU = Blue