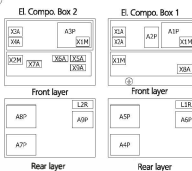
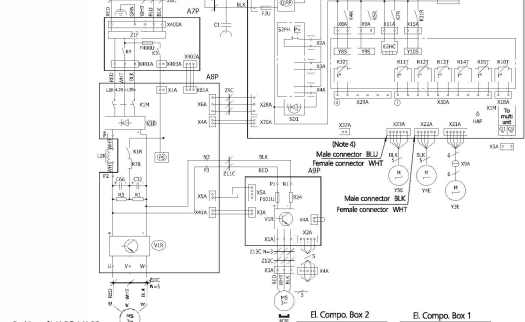


# EMRQ14-16AB

3/11

## POWER SUPPLY 3/N ~ 380-415V 50Hz



Printed circuit board		
A1P~A2P	A1P: Main	A1P, A2P: Motor Box
	A3P: Sub 1	ASP, ABP: Inverter
	A3P: Sub 2	ASP: A/P fan
B11~B12	Push button switch (On/Off, set, return, test, reset)	
C1, C2, C36	Capacitor	
E1HC, E2HC	Cooling fan heater (A1P, A2P)	
F1L1, F2U	Fan (F1: S115A, S215A; F2: P, A11)	
F1U	Fan (F1: S115A, S215A; A2P)	
F1FUU	Fan (A2P, A3P)	
F5U	Field fan	
H40U	Fan (F1: G3, Z50V; A1P/A2P)	
I1P1~I1P2	Pilot lamp (Service monitor orange) (I2P: Pressure test—Red/Warning; Malfunction detector—Light up)	
I1P3	Pilot lamp (Service monitor green) (A1P, A2P, A3P)	
I1R	Magnetic relay (A3P, ABP)	
I2	Magnetic relay (A1P, A2P)	
I1M1, K2M	Magnetic contactor (M1C: A/P, M2C: A/P)	
I4	Magnetic contactor (M1C: A/P, M2C: A/P)	
Magnetic relay		
I1R~I1R1, I1R11	K1R: Y16	K3R: for option (A2P)
	K2R: Y55	K3R: Y55 (A3P)
	K3R: Y15 (A11)	K3R: Y15 (A2P)
	K3R: Y15 (A2P)	K3R: E1HC (A11)
	K4R: Y6	K3R: E2HC (A2P)
	K3R: Y25 (A11)	K11R: Y15S (A3P)
L1R, L2R	Resistor	
M1C, M2C	Motor Compressor	
M1R, M2R	Motor Fan	
S1	Switching power supply (A1P, A2P, A3P, ABP)	
Q10A	Earth leakage breaker	
Q10P	Reverse phase detector circuit (A1P, A2P)	
R2H	Resistor (current sensor) (A2P, ABP)	
R1, R3	Resistor (A2P, ABP)	
R7H	Resistor (current limiting) (A2P, ABP)	
Inverter		
R11: A1P	R11: Suction 1	
R21: HE gas 1	R11: Liquid	
R31: M1C Discharge	R11: Suction 2	
R32: M2C Discharge	R11: HE gas 2	
R41: HE Gas 1	R11: HE Gas 2	
R51: Subcool HE gas 1	R11: Subcool HE gas 2	
R61: Subcool HE Liq	R14: Liquid 2	
R71: HE Liquid 1	R15: HE Liquid 2	

S1NH	Pressure sensor (high)
S2NP	Pressure sensor (low)
S1PH, S2PH	Pressure switch (high)
S01	Safety devices input (A1P, 3AP)
V1R	Diode bridge (A2P, ABP)
V1R	Power module (A2P, ABP)
X1A~X3A	Connector
X1M	Terminal strip (Power supply)
X1M	Terminal strip (Control) (A1P/A3P)
X2M	Terminal strip (Relay)
Y1E	Electronic expansion valve (Main 1)
Y2E	Electronic expansion valve (Subcool 1)
Y3E	Electronic expansion valve (Main 2)
Y4E	Electronic expansion valve (Charge)
Y5E	Electronic expansion valve (Subcool 2)

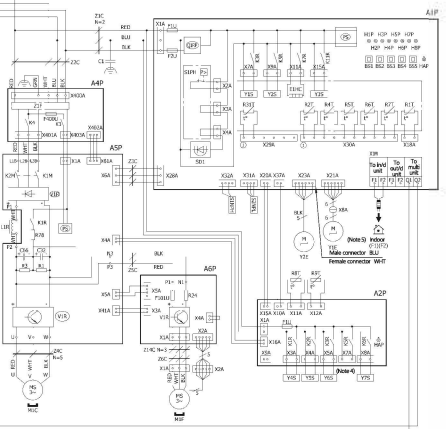
Y1S~Y10S	Solenoïd valve	
	Y1S: RW/G	Y5S: RW/T
Y2S: 4 way valve (HE 1)	Y6S: RW/D	
Y3S: RW/L	Y8S: 4 way valve (pipe)	
Y4S: hot gas	Y9S: 4 way valve (HE 2)	
Y5S: EV Bypass 1	Y10S: EV Bypass 2	

Z1~Z14C	Noise filter (ferite core)
Z1F	Noise filter (with surge absorber) (A2P, A3P)

Connector for optional parts	
X2A	Operation output (A2P)
X3A	Power supply (Adapter) (A2P)
X37A	Power supply (Adapter) (A3P)



### Notes

- This wiring diagram only applies to the outdoor unit.
- Field wiring
- Terminal strip Connector Protective earth (screw) Terminal
- When using the option adapter, refer to the installation manual
- Refer to the installation manual for connection wiring to indoor - outdoor unit transmission F1-F2 and how to use BS1-B5S
- Do not operate the unit by short-circuiting any protection device S1PH, S2PH.
- BLK = Black RED = Red YLW = Yellow WHT = White BLK = Pink BRN = Brown GRY = Grey GRN = Green ORG = Orange PNU = Blue