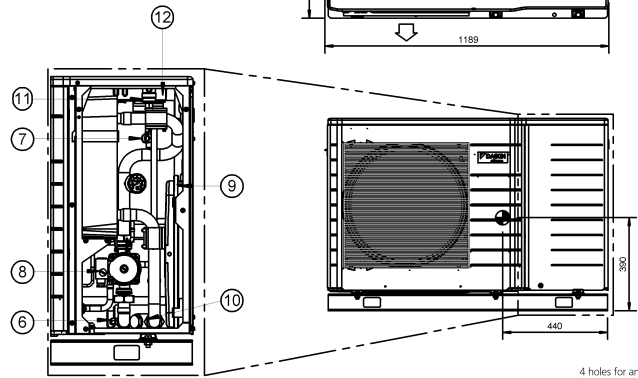
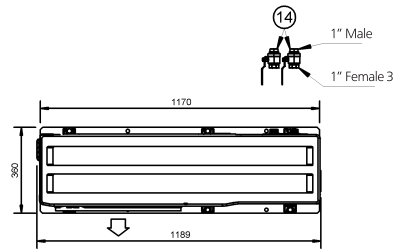
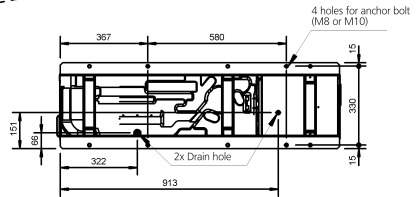


EBHQ-BBV3

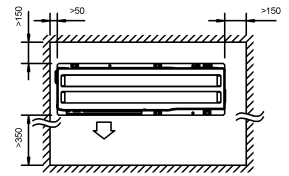
- 1 Water inlet 1" Male
- 2 Water outlet 1" Male
- 3 Power supply intake
- 4 Communication cable intake
- 5 Thermistor cable intake
- 6 Drain and fill valve
- 7 Blow off valve
- 8 Blow off valve
- 9 Pump
- 10 Expansion vessel
- 11 Waterfilter
- 12 Air purge
- 13 Switch box
- 14 Outdoor air thermistor
- 15 Shut off valves (delivered with unit)
- ⊕ Center of gravity



(Scale 1/10)



Minimum service and installation space
(Scale 1/25)



Note: Wall height on air outlet side = less than 1200

