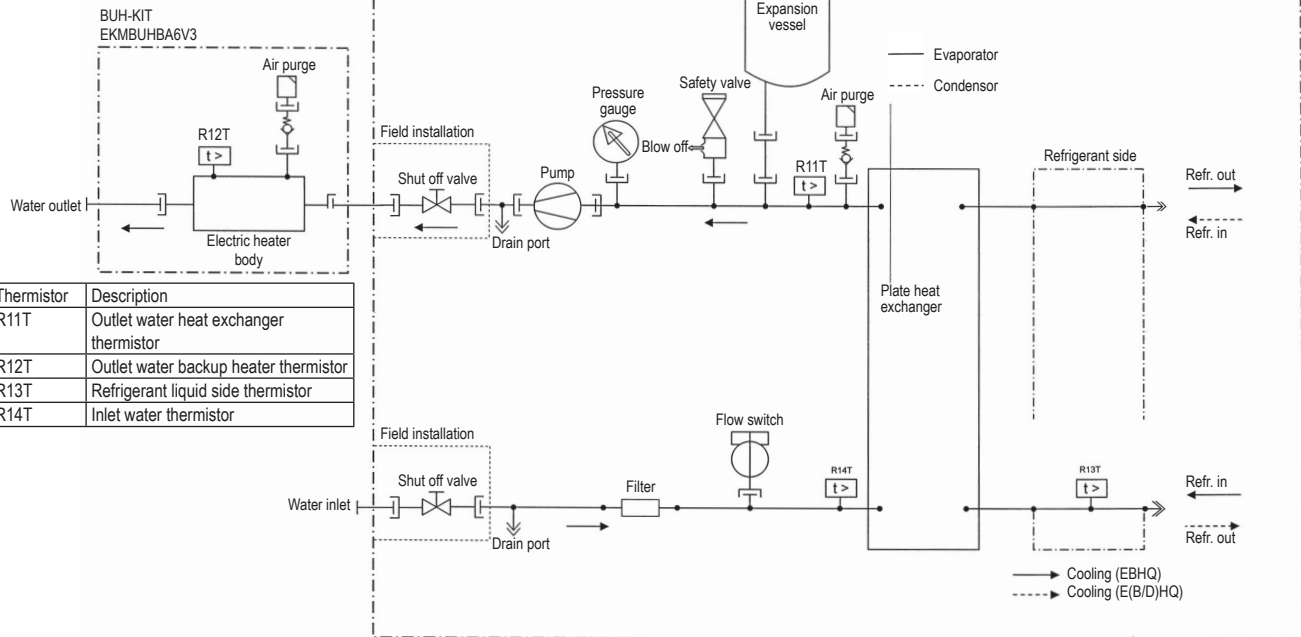


EBHQ006-008BV3
EKMBUH
EKCB(H/X)008BBV3

Outdoor unit
 EBHQ*BAV3



Thermistor	Description
R11T	Outlet water heat exchanger thermistor
R12T	Outlet water backup heater thermistor
R13T	Refrigerant liquid side thermistor
R14T	Inlet water thermistor

NOTES

: Check valve,
 : Flare connection,
 : Screw connection,
 : Flange connection,
 : Pinched pipe,
 : Spinned pipe