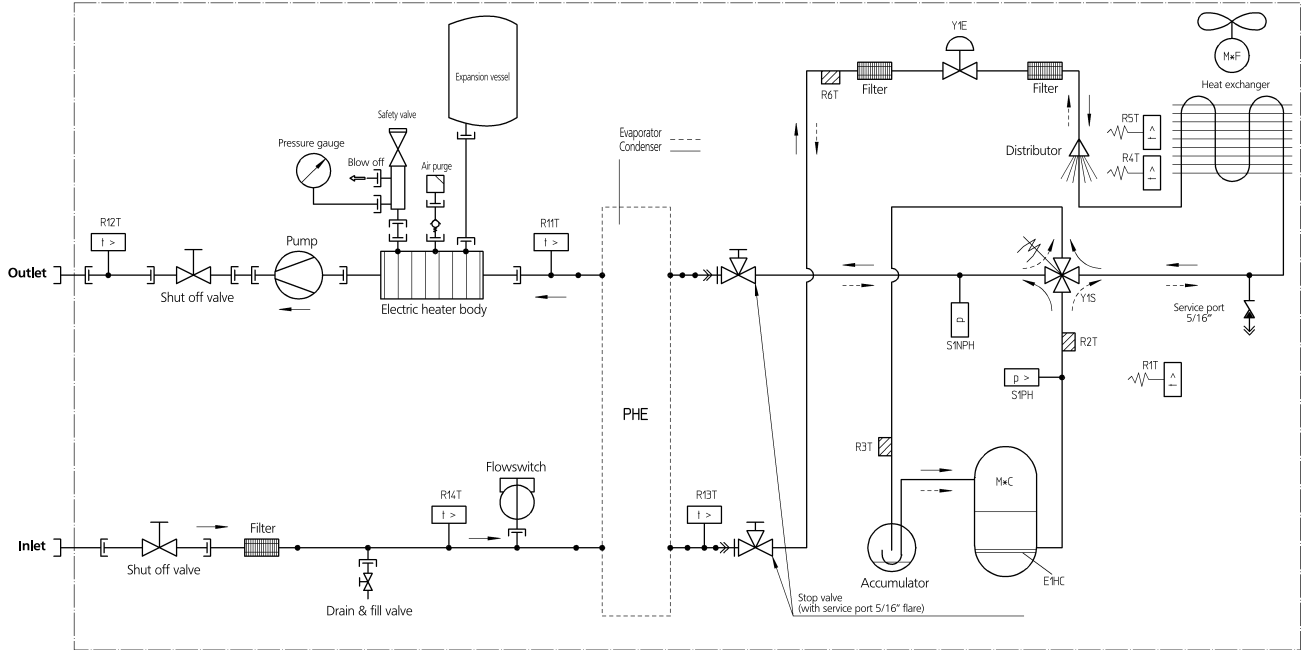


# EBHQ11-016BB6V3



- |       |                              |      |  |
|-------|------------------------------|------|--|
| R1T   | : Thermistor (Air)           | Y1S  | : 4-way valve                            |
| R2T   | : Thermistor (discharge)     | Y3S  | : Injection valve                        |
| R3T   | : Thermistor (Suction)       | S1PH | : High pressure switch                   |
| R4T   | : Thermistor (Liquid 1)      | M+F  | : Fan motor                              |
| R5T   | : Thermistor (middle)        | M+C  | : Compressor                             |
| R6T   | : Thermistor (Liquid 2)      | R11T | : Outlet water heat-exchanger thermistor |
| S1NPH | : Pressure sensor            | R12T | : Outlet water backup heater thermistor  |
| Y1E   | : Electronic expansion valve | R13T | : Refrigerant liquid side thermistor     |
| E1HC  | : Crankcase heater           | R14T | : Inlet water thermistor                 |

Heating  
 Cooling

