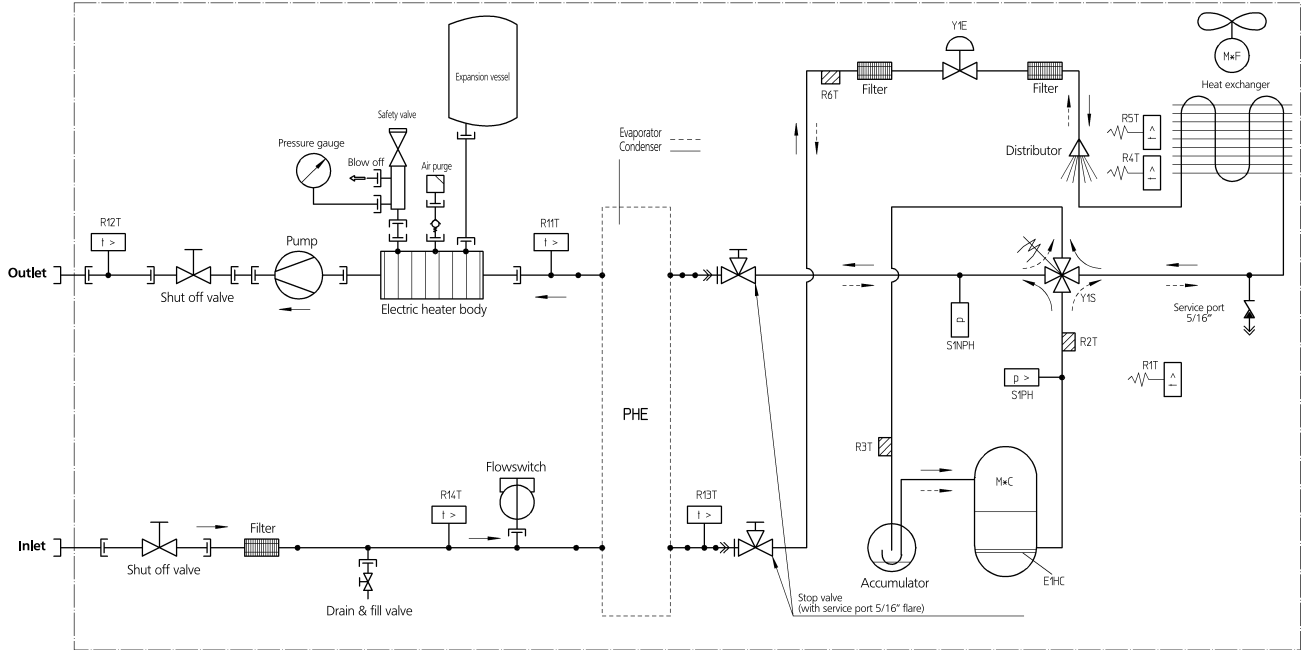


EBLQ011-016BB6V3



- | | | | |
|-------|------------------------------|------|--|
| R1T | : Thermistor (Air) | Y1S | : 4-way valve |
| R2T | : Thermistor (discharge) | Y3S | : Injection valve |
| R3T | : Thermistor (Suction) | S1PH | : High pressure switch |
| R4T | : Thermistor (Liquid 1) | M+F | : Fan motor |
| R5T | : Thermistor (middle) | M+C | : Compressor |
| R6T | : Thermistor (Liquid 2) | R11T | : Outlet water heat-exchanger thermistor |
| S1NPH | : Pressure sensor | R12T | : Outlet water backup heater thermistor |
| Y1E | : Electronic expansion valve | R13T | : Refrigerant liquid side thermistor |
| E1HC | : Crankcase heater | R14T | : Inlet water thermistor |

Heating
 Cooling

