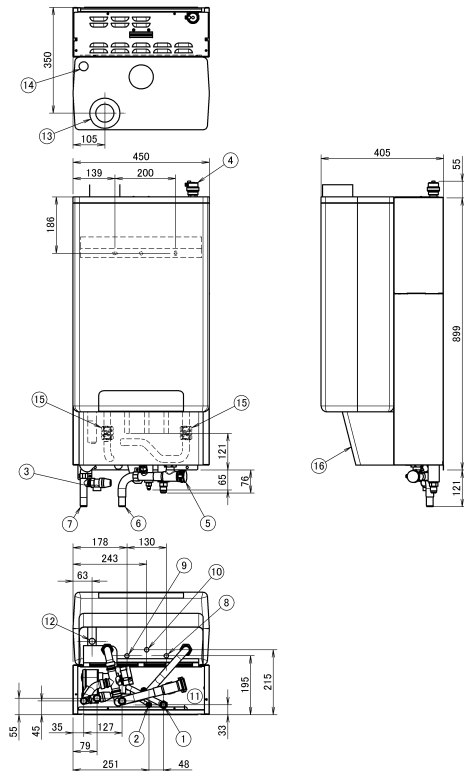


# EHYHBH-AV3 EHYKOMB-AA



1. Gas pipe connection  $\phi$  15.9 flare
2. Liquid pipe connection  $\phi$  6.35 flare
3. Safety valve (pressure)
4. Air purge (Automatic)
5. Water filter
6. Water in connection ( $\phi$  22mm)
7. Water out connection ( $\phi$  22mm)
8. DHW in connection ( $\phi$  15mm)
9. DHW out connection ( $\phi$  15mm)
10. Gas connection (1/2")
11. Wiring intake area heat pump module
12. Condensate drain ( $\phi$  25mm flexible)
13. Flue pipe / Air supply ( $\phi$  60/100mm concentric)
14. Air purge boiler (manual)
15. Copper clamp connection 22mm (accessory)
16. Boiler cover (option)

Note:  
Typical field installation is according to local and national regulations. For examples, refer to installer reference guide.