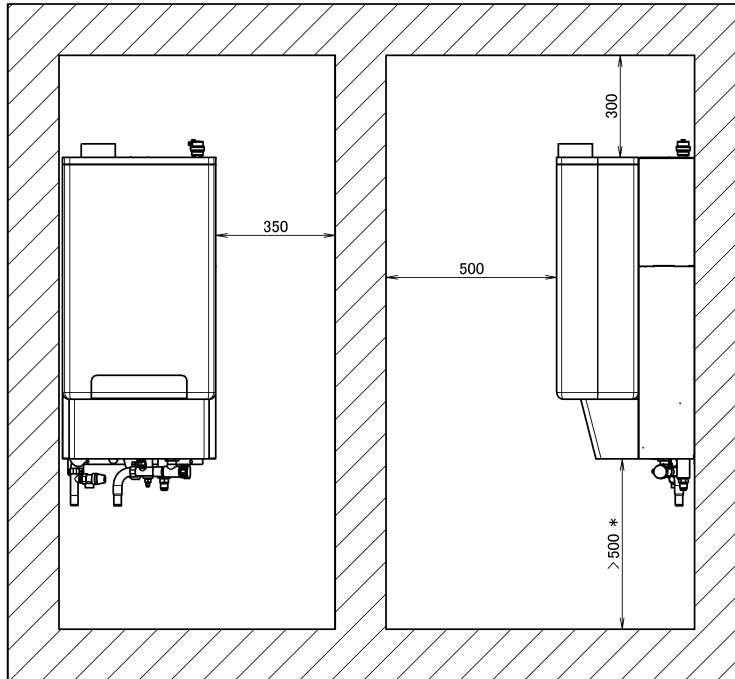


Required space for service and installation



* In combination with mounting- and/or valve kit, 800mm is required.