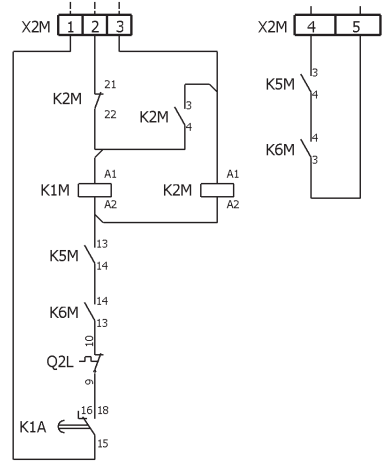
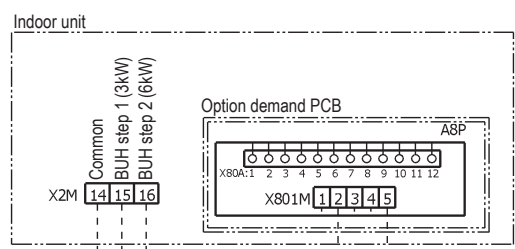
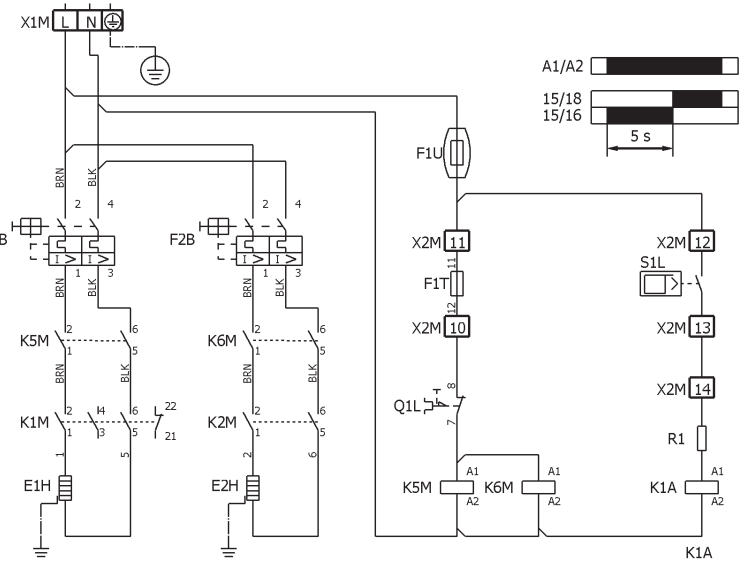
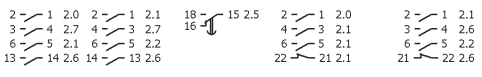
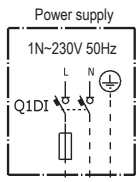
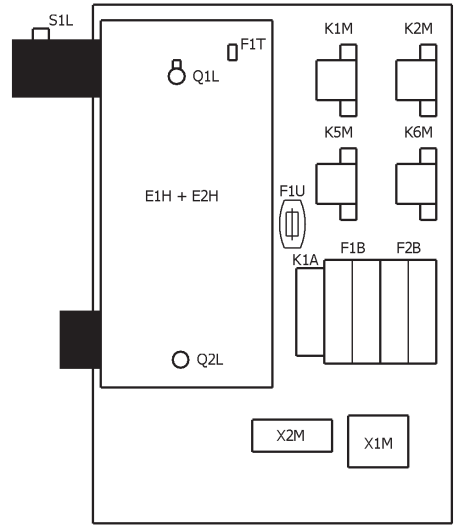


EKBUH-AA6V3



Switch box layout



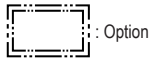
Part number	Description	Part number	Description
A8P	Demand PCB (Indoor unit option)	S1L	Flowswitch
E1H, E2H	Backup heater elements	Q1DI	# Earth leakage protector
F1B, F2B	Fuse backup heater (20A 400V)	Q1L	Thermal protector backup heater (manual reset)
F1U	Fuse (5A T 250V)	Q2L	Thermal protector inlet water (automatic reset)
F1T	Thermal fuse backup heater	R1	Inline resistor for flowswitch
K1A	Time relay (on-delay)	X1M, X2M	Terminal strip
K1M, K2M	Contactur backup heater step	X801M	PCB terminal strip
K5M, K6M	Contactur for backup heater (all pole disconnection)		

*: optional #: field supplied

4TW59726-1

NOTES

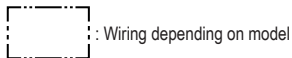
- X1M : Main terminal
- X2M : Field wiring terminal
- : Earth wiring
- 15 : Wire number 15
- : Field supply
- ① : Several wiring possibilities



: Option



: Not mounted in switch box



: Wiring depending on model



: PCB