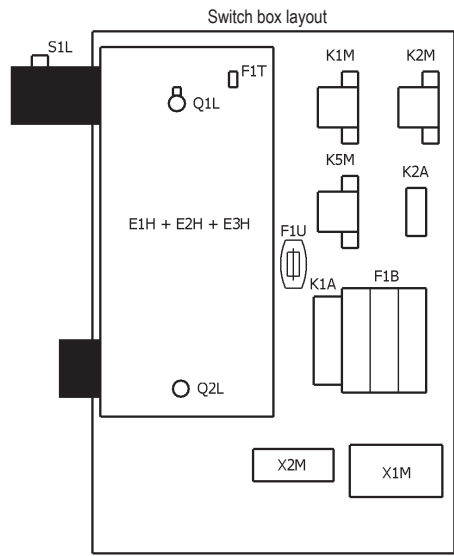
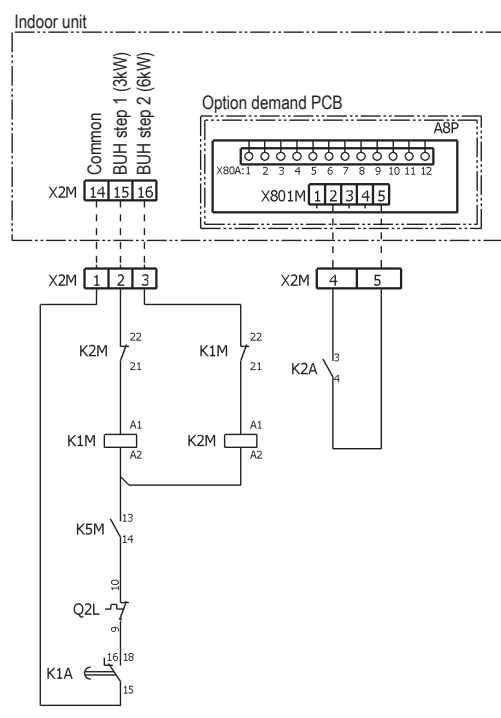
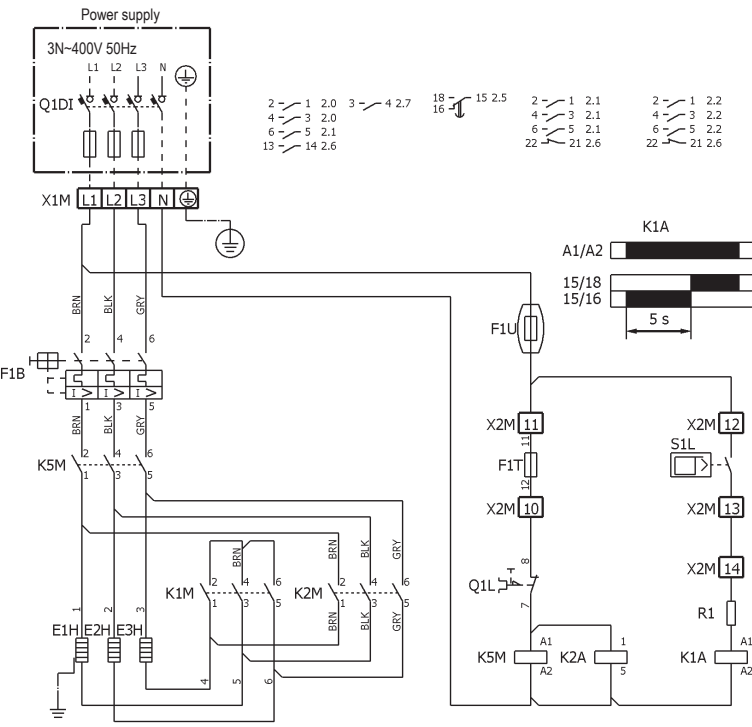


# EKBUH-AA6W1



Part number	Description	Part number	Description
A8P	Demand PCB (Indoor unit option)	K5M	Contactor for backup heater (all pole disconnection)
E1H, E2H, E3H	Backup heater elements	S1L	Flowswitch
F1B	Fuse backup heater (20A 400V)	Q1DI	# Earth leakage protector
F1U	Fuse (5A T 250V)	Q1L	Thermal protector backup heater (manual reset)
F1T	Thermal fuse backup heater	Q2L	Thermal protector inlet water (automatic reset)
K1A	Time relay (on-delay)	R1	Inline resistor for flowswitch
K2A	Auxiliary relay	X1M, X2M	Terminal strip
K1M, K2M	Contactor backup heater step	X801M	PCB terminal strip

\*: optional #: field supplied

4TW59726-2

## NOTES

- X1M : Main terminal
- X2M : Field wiring terminal
- : Earth wiring
- 15 : Wire number 15
- : Field supply
- ① : Several wiring possibilities

