
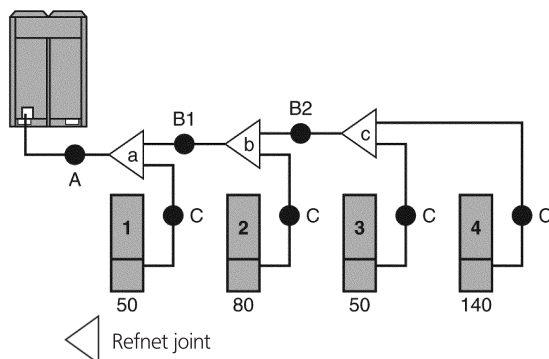


## Selection of piping size

- Note  ■ Reversible indoor units (EKHVMYD) need 3 pipes.  
 ■ Heating only indoor units (EKHVMRD or EKHBRD) need 2 pipes (liquid and discharge only).


Indoor units capacity index	
EKHBRD011	100
EKHBRD014	125
EKHBRD016	140
EKHVM(R/Y)D50	50
EKHVM(R/Y)D80	80

- Size: determine the proper size referring to following table:



### A. Piping between outdoor unit and first branch pipe

Piping outer diameter size (mm)			
Outdoor unit capacity type (HP)	Suction gas pipe	Discharge gas pipe	Liquid pipe
8	19.1	15.9	9.5
10	22.2	19.1	9.5
12	28.6	19.1	12.7
14+16	28.6	22.2	12.7

- Note  Never increase suction gas pipe and discharge gas pipe sizes.

### B. Piping between refrigerant branch kits

Choose from the following table in accordance with the indoor unit total capacity type, connected downstream:

Piping outer diameter size (mm)			
Indoor unit capacity index	Suction gas pipe	Discharge gas pipe	Liquid pipe
<150	15.9	12.7	9.5
150≤x<200	19.1	15.9	9.5
200≤x<290	22.2	19.1	9.5
290≤x<420	28.6	19.1	12.7
420≤x<520	28.6	28.6	15.9

Example:

Total capacity connected downstream for B1 = capacity index indoor 2 + capacity index indoor 3 + capacity index indoor 4 = 270.

Total capacity connected downstream for B2 = capacity index indoor 3 + capacity index indoor 4 = 190.

### C. Piping between refrigerant branch kit and indoor unit

Pipe size for direct connection to indoor unit must be the same as the connection size of the indoor unit:

Piping outer diameter size (mm)			
	Suction gas pipe	Discharge gas pipe	Liquid pipe
EKHVM(R/Y)D	15.9	12.7	9.5
EKHBRD	-	15.9	9.5

- The pipe thickness of the refrigerant piping shall comply with the applicable legislation. The minimal pipe thickness for R410A piping must be in accordance with the table below.

Pipe $\phi$	Minimal thickness t (mm)
6.4	0.80
9.5	0.80
12.7	0.80
15.9	0.99
19.1	0.80
22.2	0.80
28.6	0.99

- In case the required pipe sizes (inch sizes) are not available, it is also allowed to use other diameters (mm sizes), taken the following into account:
- select the pipe size nearest to the required size.
  - use suitable adapters for the change-over from inch to mm pipes (Field supply).