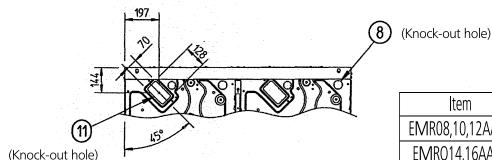
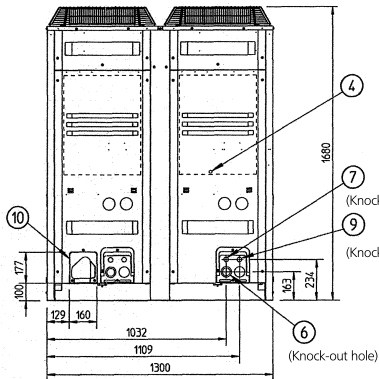
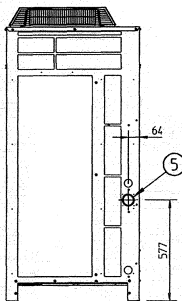
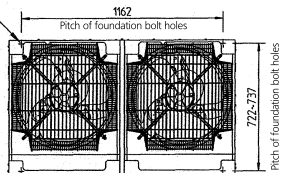


EMRQ8-16A

4x 15x22.5mm Oblong holes
(Foundation bolt holes)



Notes

- For piping connection method (front and bottom sides) see the installation manual.
- Piping connections for field connection

Discharge gas pipe

- φ 15.9 Brazing connection: EMRQ8AA1
- φ 19.1 Brazing connection: EMRQ10,12AA1
- φ 22.2 Brazing connection: EMRQ14,16AA1

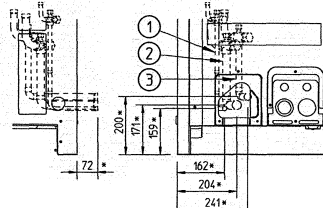
Suction gas pipe

- φ 19.1 Brazing connection: EMRQ8AA1
- φ 22.2 Brazing connection: EMRQ10,12AA1
- φ 28.6 Brazing connection: EMRQ14,16AA1

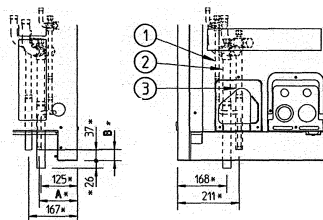
Liquid pipe

- φ 9.5 Brazing connection: EMRQ8,10AA1
- φ 12.7 Brazing connection: EMRQ12,14,16AA1

- * Shows the dimensions after fixing the accessory bag



Detail for front side



Detail for bottom side

No	Parts name	Remarks
1	Liquid pipe connection port	See note 2
2	Suction gas pipe connection port	See note 2
3	Discharge gas pipe connection port	See note 2
4	Grounding terminal	Inside of switchbox (M8)
5	Power cord routing hole (side)	φ 62mm
6	Power cord routing hole (front)	φ 45mm
7	Power cord routing hole (front)	φ 27mm
8	Power cord routing hole (bottom)	φ 50mm
9	Wire routing hole (front)	φ 27mm
10	Pipe routing hole (front)	See note 1
11	Pipe routing hole (bottom)	See note 1

Item	A	B
EMR08,10,12AA1	129	32
EMRQ14,16AA1	131	38