

ERHQ-BAV3

Outdoor unit

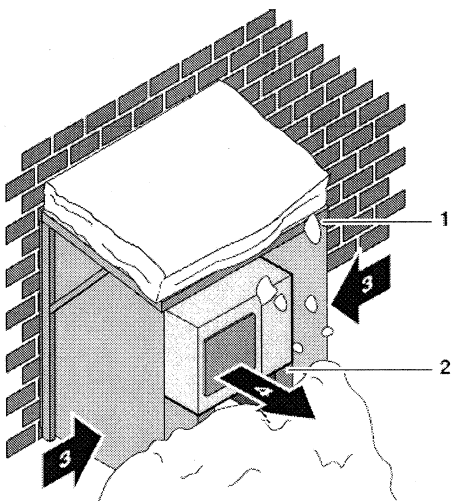
Installation guidelines / precautions Daikin Altherma

Installation location (General)

- The equipment is not intended for use in a potentially explosive atmosphere.
- Choose a place solid enough to bear the weight and vibration of the unit, where the operation noise will not be amplified.
- Choose a location where the hot/cold air discharger from the unit or the operation noise will not cause a nuisance to the neighbours of the user.
- Avoid places near a bedroom and the like, so that the operation noise will cause no trouble.
- There must be sufficient space for carrying the unit into and out of the site.
- There must be sufficient space for air passage and no obstructions around the air inlet and the air outlet.
- The site must be free from the possibility of flammable gas leakage in a nearby place.
- Locate the unit so that the noise and the discharged hot/cold air will not annoy the neighbours.
- Install units, power cords and inter-unit cables at least 3 m away from television and radio sets. This is to prevent interference to images and sounds.
- Depending on radio wave conditions, electromagnetic interference may still occur even if installed more than 3 m away.
- In coastal areas or other places with salty atmosphere of sulfate gas, corrosion may shorten the life of the outdoor unit.
- Since drain flows out of the outdoor unit, do not place anything under the unit which must be kept away from moisture.

Installation location (in cold climates)

- To prevent exposure to wind, install the outdoor unit with its suction side facing the wall.
- Never install the outdoor unit at a site where the suction side may be exposed directly to wind.
- To prevent exposure to wind, install a baffle plate on the air discharge side of the outdoor unit.
- Unit should be installed in a way that a minimum of 15 cm free space is assured below the unit's bottom plate at all conditions, e.g.: heavy snowfall (if necessary construct a pedestal).
- In heavy snowfall areas it is very important to select an installation site where the snow will not affect the unit. If lateral snowfall is possible, make sure that the heat exchanger coil is not affected by the snow (if necessary construct a lateral canopy). (See figure 1)



- 1 Construct a large canopy.
Install the unit high enough off the ground to prevent burying in snow.
- 2 Construct a pedestal.
Install the unit high enough off the ground to prevent burying in snow.
- 3 Strong wind
- 4 Discharge air

Figure 1: construction of canopy and pedestal