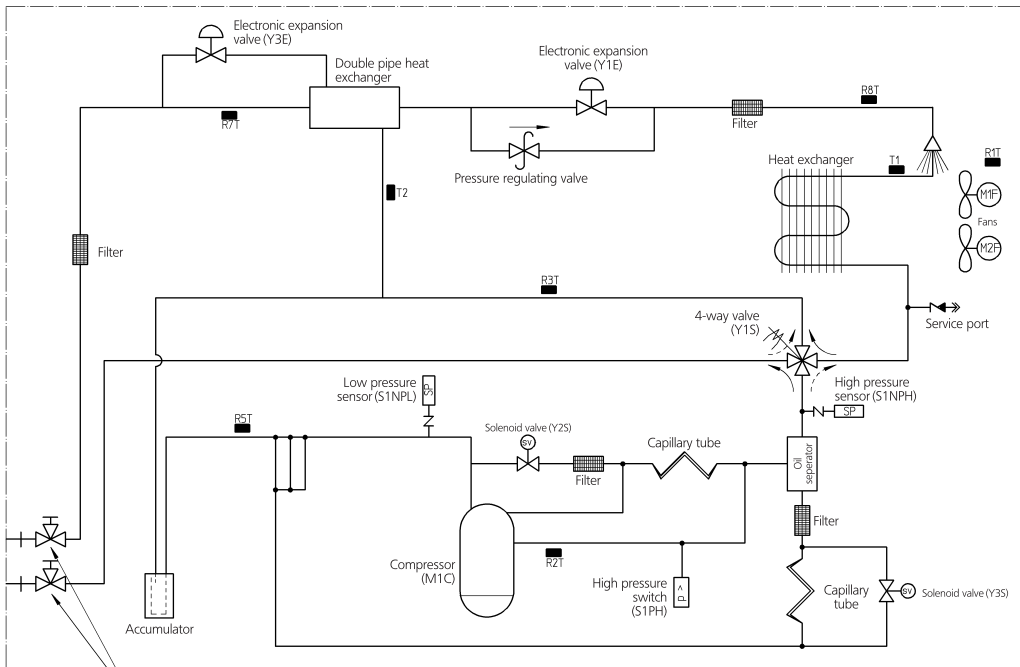


ERSQ-AV1



- R1T: Ambient thermistor
- R2T: Discharge thermistor
- R3T: Suction thermistor (1)
- R5T: Suction thermistor (2)
- R7T: Liquid thermistor (1)
- R8T: Liquid thermistor (2)

Stop valve (with service port on field piping side ϕ 7.9mm flare connection)

	1-	3-
T1: Thermistor heat exchanger	R4T	R6T
T2: Thermistor subcool heat exchanger	R6T	R4T

— Heating
 - - - Defrost
