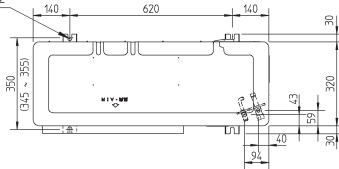
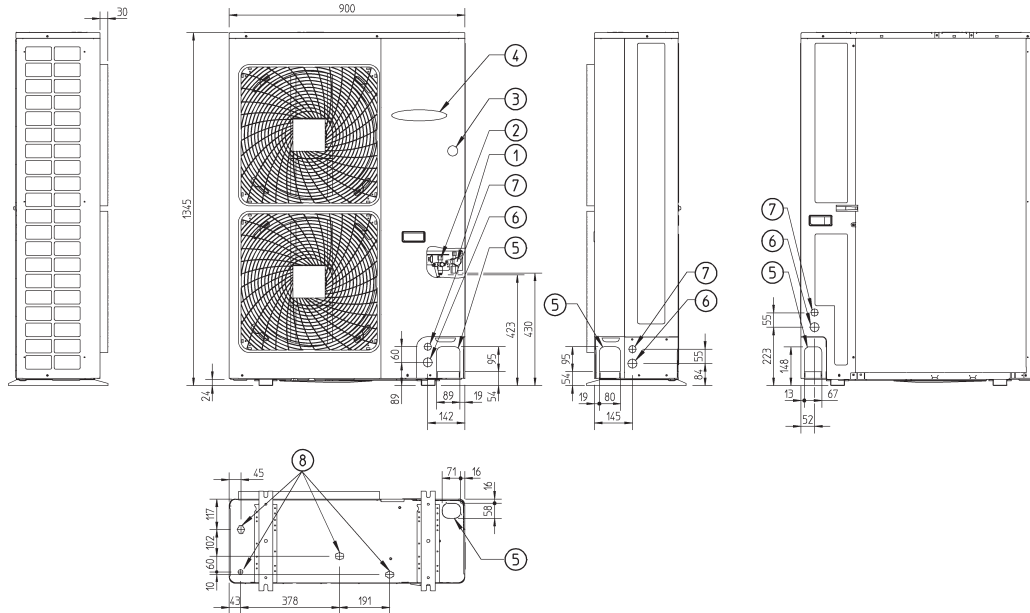


# ERSQ11-016AA

Hole for anchor bolt 4-M12



1. Gas pipe connection  $\phi$  15.9 flare
2. Liquid connection pipe  $\#$ 9.5 flare
3. Service port (in the unit)
4. Electronic connection and grounding terminal MS (in switch box)
5. Refrigerant piping intake
6. Power supply wiring intake (knock hole  $\phi$  34)
7. Control wiring intake (knock hole  $\phi$  27)
8. Drain outlet



4TW57914-1