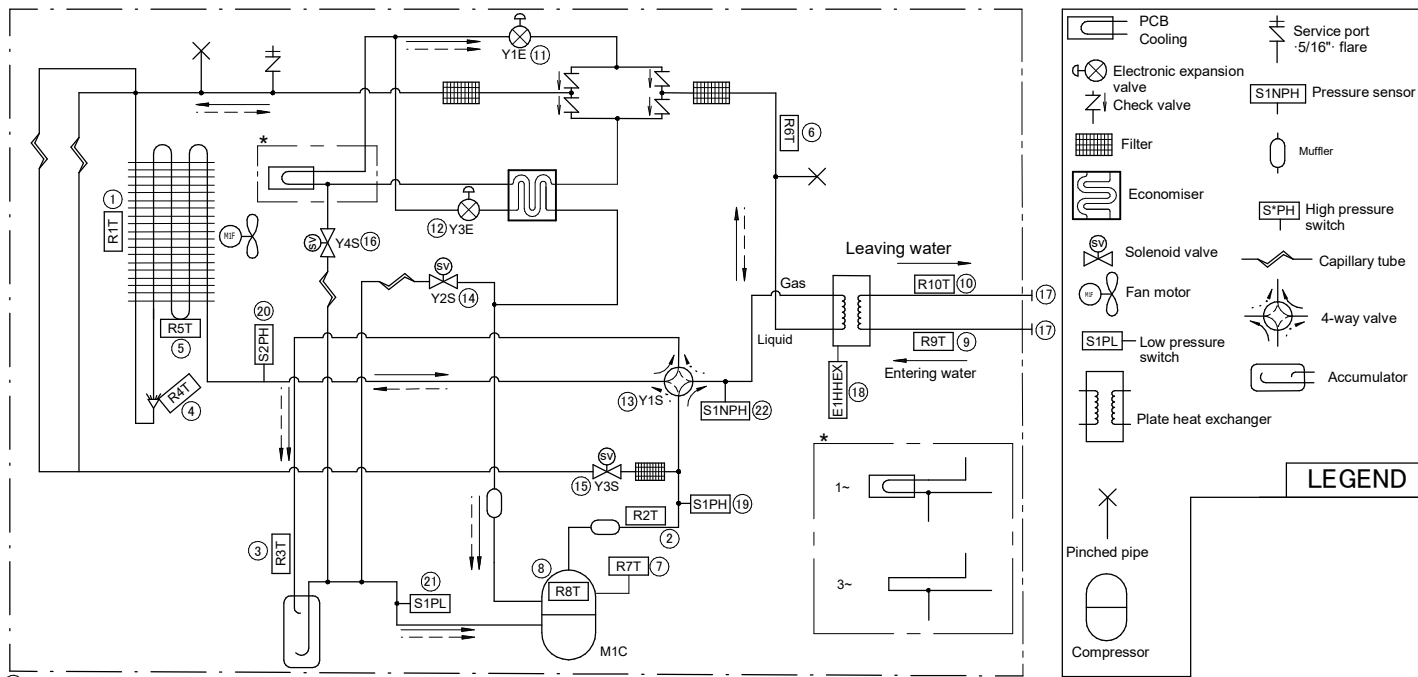


Outdoor unit



- ① R1T: Ambient thermistor
- ② R2T: Thermistor (discharge)
- ③ R3T: Thermistor (suction)
- ④ R4T: Thermistor (heat exchanger) (Distributor)
- ⑤ R5T: Thermistor (heat exchanger middle)
- ⑥ R6T: Thermistor (liquid)
- ⑦ R7T: Thermistor (compressor shell)
- ⑧ R8T: Thermistor (compressor port)

- ⑨ R9T: Inlet water thermistor
- ⑩ R10T: Outlet water thermistor
- ⑪ Y1E: Electronic expansion valve (main)
- ⑫ Y3E: Electronic expansion valve (injection)
- ⑬ Y1S: Solenoid valve (4-way valve)
- ⑭ Y2S: Solenoid valve (low pressure bypass)
- ⑮ Y3S: Solenoid valve (hot gas bypass)
- ⑯ Y4S: Solenoid valve (liquid injection)
- ⑰ Screw connection ·1" M·
- ⑱ EIHHEX: Plate heat exchanger Heater

- ⑲ S1PH: High pressure switch (5.6 MPa)
- ⑳ S2PH: High pressure switch (4.17MPa)
- ㉑ S1PL: Low pressure switch
- ㉒ S1NPH: High pressure sensor

LEGEND

	PCB Cooling		Service port ·5/16"· flare
	Electronic expansion valve		Pressure sensor
	Check valve		Muffler
	Filter		High pressure switch
	Economiser		Capillary tube
	Solenoid valve		4-way valve
	Fan motor		Accumulator
	Low pressure switch		Plate heat exchanger
	Pinched pipe		Compressor

→ Heating
 ← Cooling