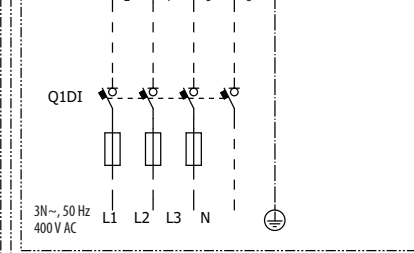
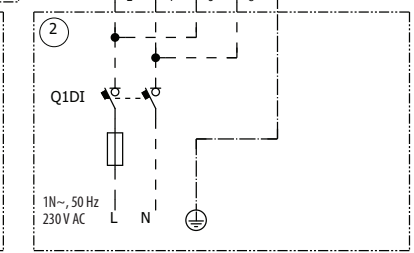
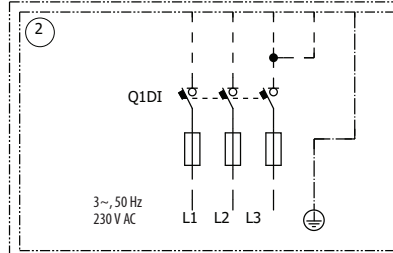
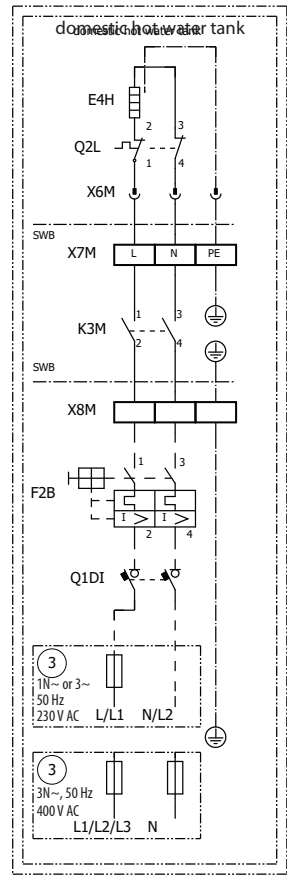
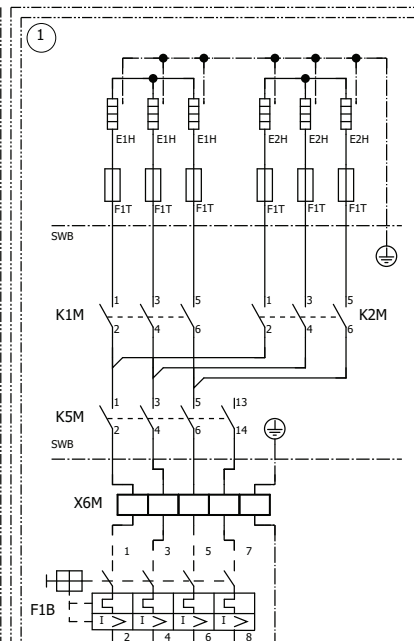
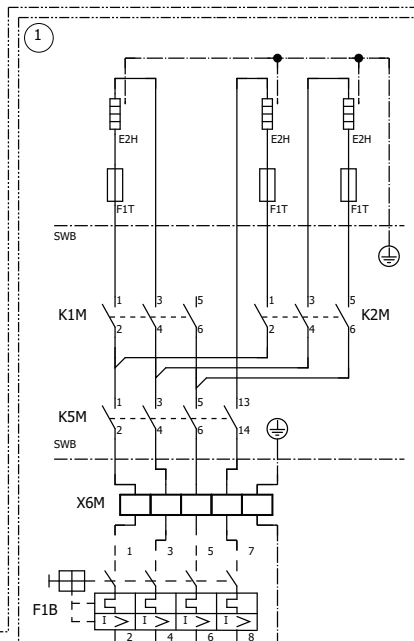


**EBBH-D6V**  
**EBBH-D9W**  
**EBBX-D6V**  
**EBBX-D9W**



for \*6T1 (3~, 230 V, 6 kW)

for \*6V3 (1N~, 230 V, 6 kW)

for \*6WN (3N~, 400 V, 6 kW)  
 and \*9WN (3N~, 400 V, 9 kW)

3  
 1N- or 3~  
 50 Hz  
 230 V AC L/L1 N/L2

3  
 3N~, 50 Hz  
 400 V AC L1/L2/L3 N

only for \*6V

only for \*9W