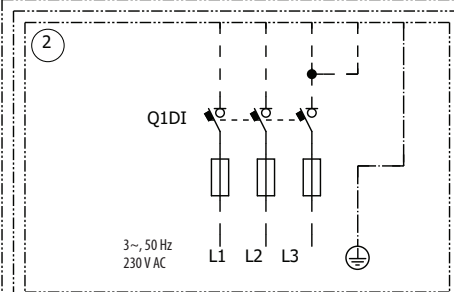
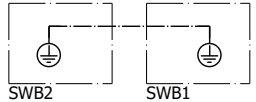
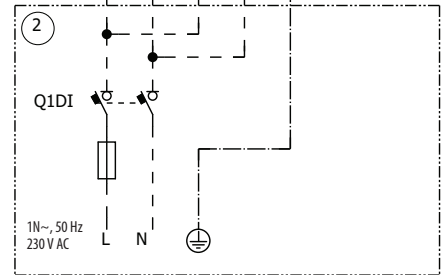
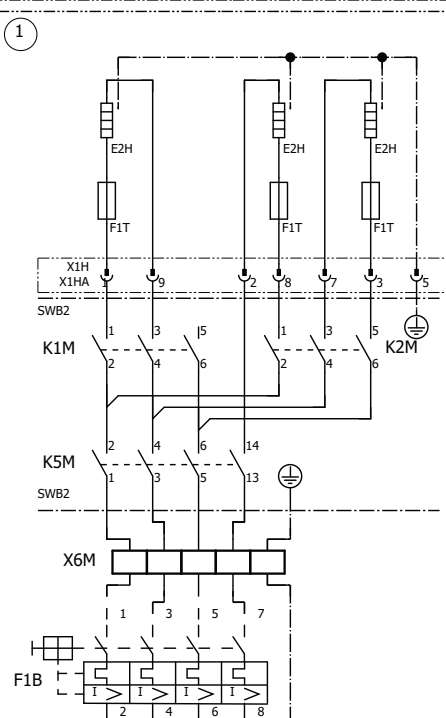


EBVH-D6V
EBVH-D9W
EBVH-UD6V
EBVX-D6V
EBVX-D9W

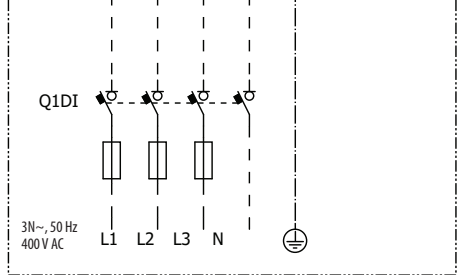
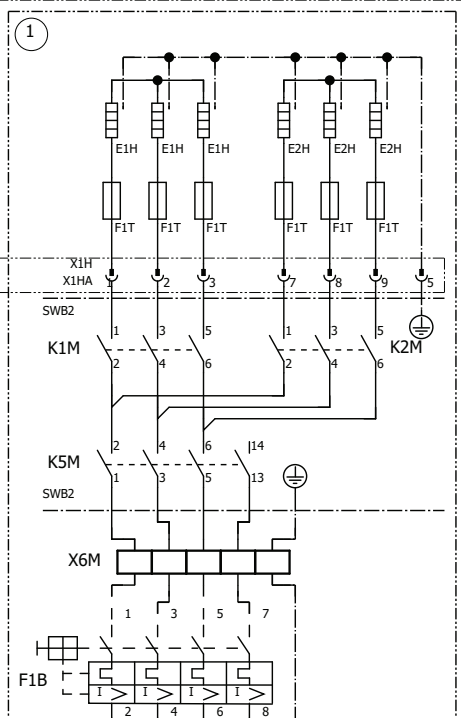


for *6T1 (3~, 230 V, 6 kW)

only for *6V



for *6V3 (1N~, 230 V, 6 kW)



for *6WN (3N~, 400 V, 6 kW)
 and *9WN (3N~, 400 V, 9 kW)

only for *9W