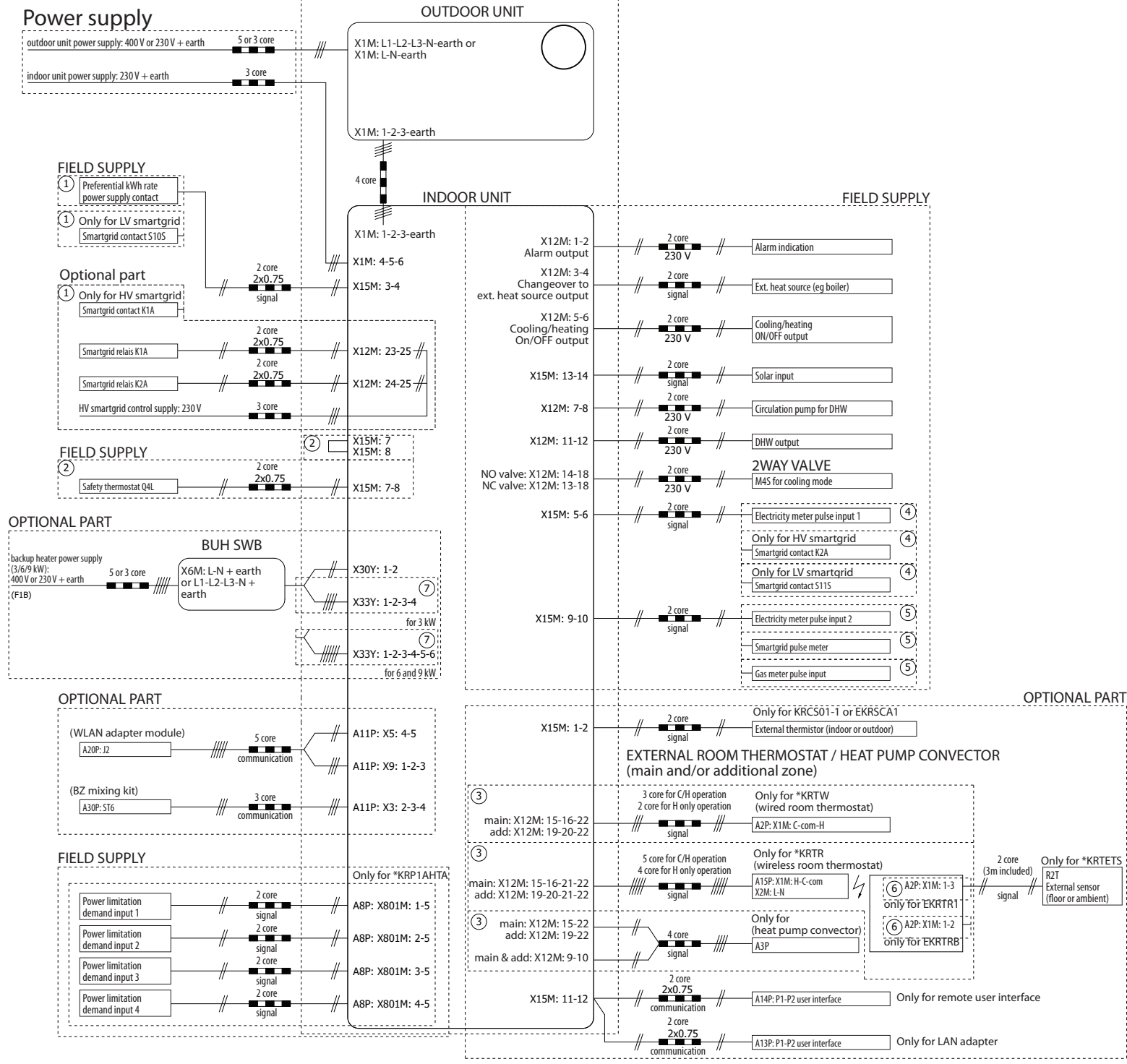


ETSH12E  
 ETSHB12E  
 ETSX12E  
 ETSXB12E

STANDARD PART



**NOTE**  
 • In case of signal cable: keep minimum distance to power cables > 5 cm