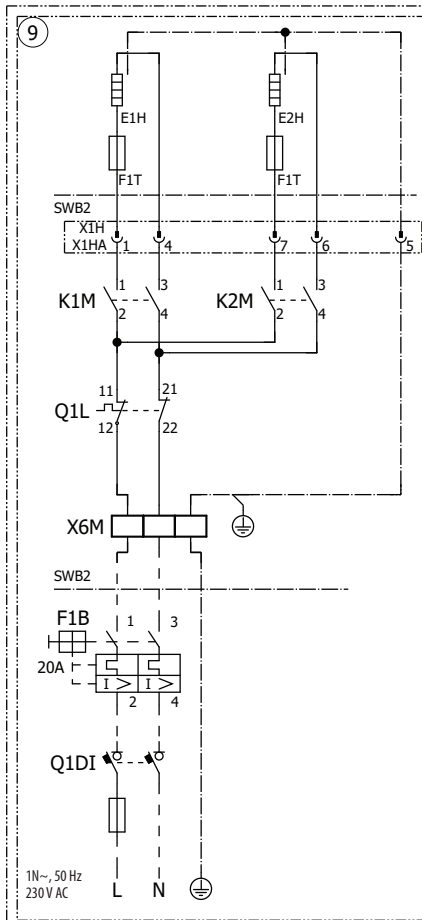
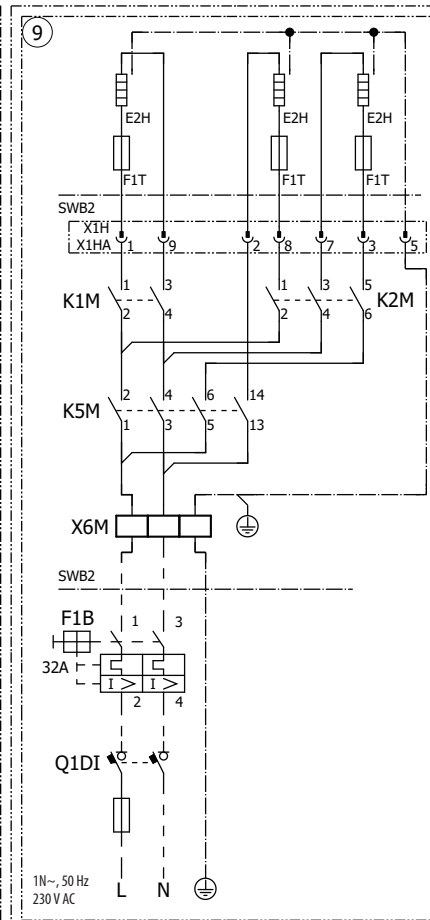


# ETSH12E / ETSHB12E

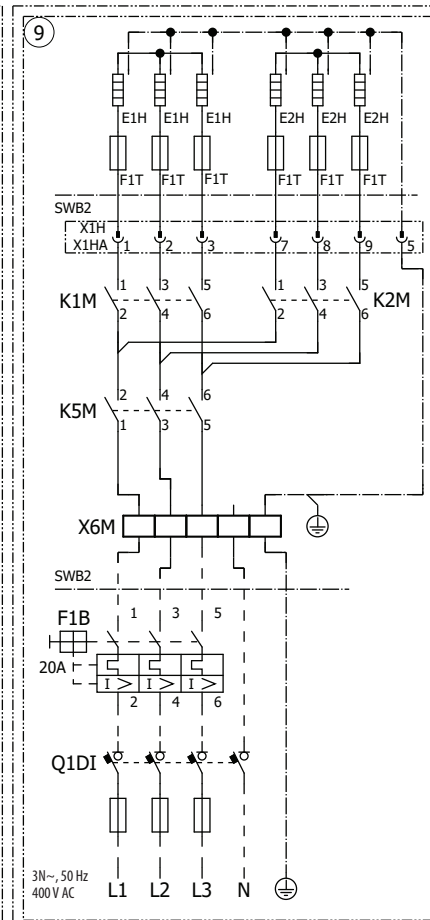
# ETSX12E / ETSXB12E



only for \*3V



only for \*6V



only for \*9W

