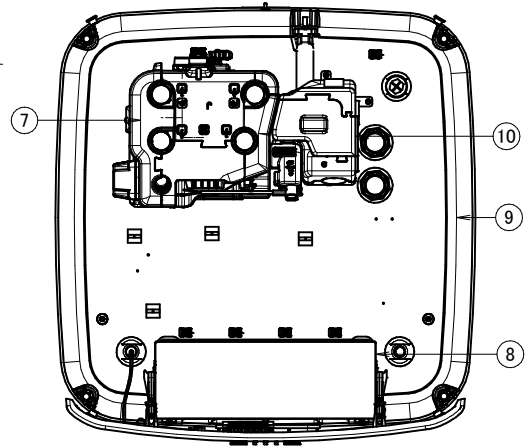
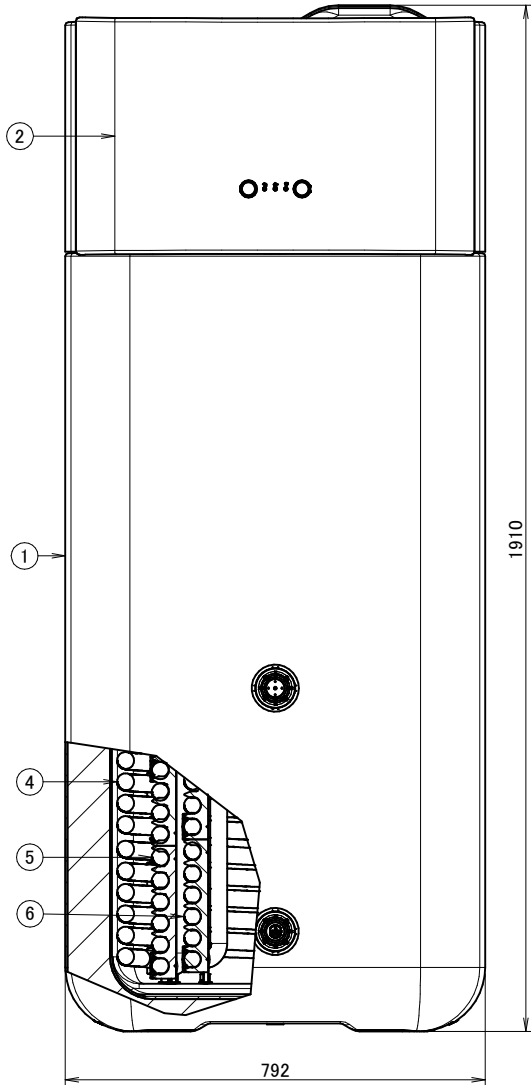
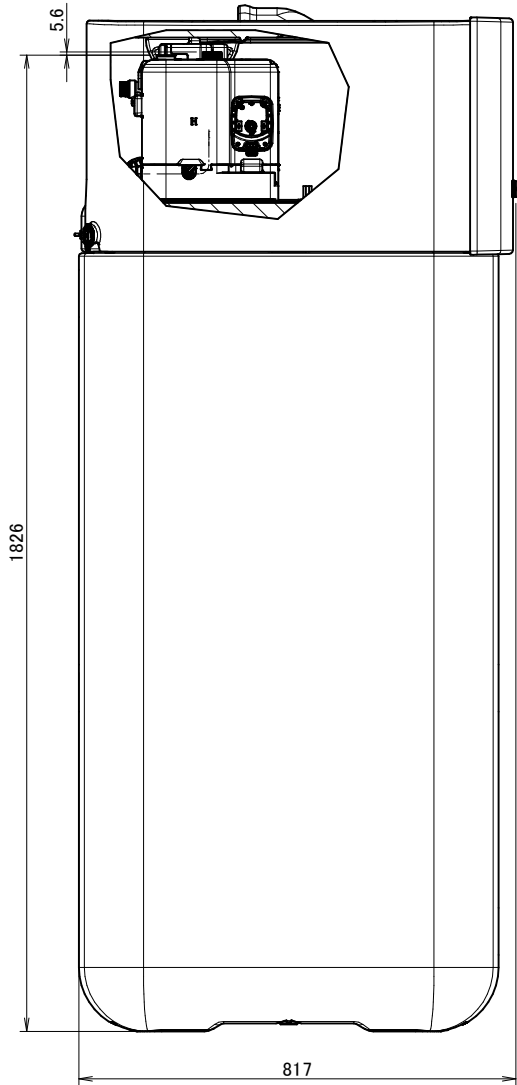
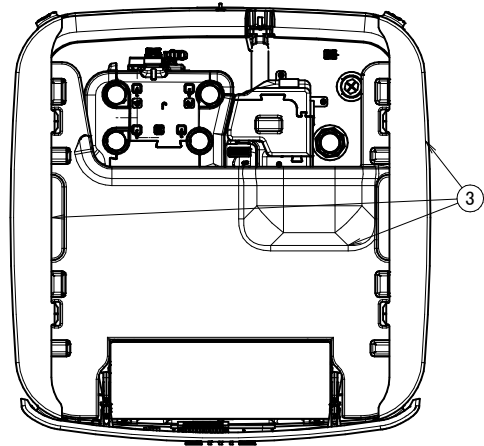


ETSH12P50E
ETSHB12P50E
ETSX12P50E
ETSXB12P50E

- ① 500-l tank
- ② 5xx Front panel
- ③ 5xx Hood
- ④ DHW Heat exchanger
- ⑤ Load Heat exchanger
- ⑥ BIV Heat exchanger
- ⑦ Hydraulics – mixed pump group
- ⑧ Switch box
- ⑨ 5xx Tank lid
- ⑩ Outdoor unit connections



top view
without hood



top view