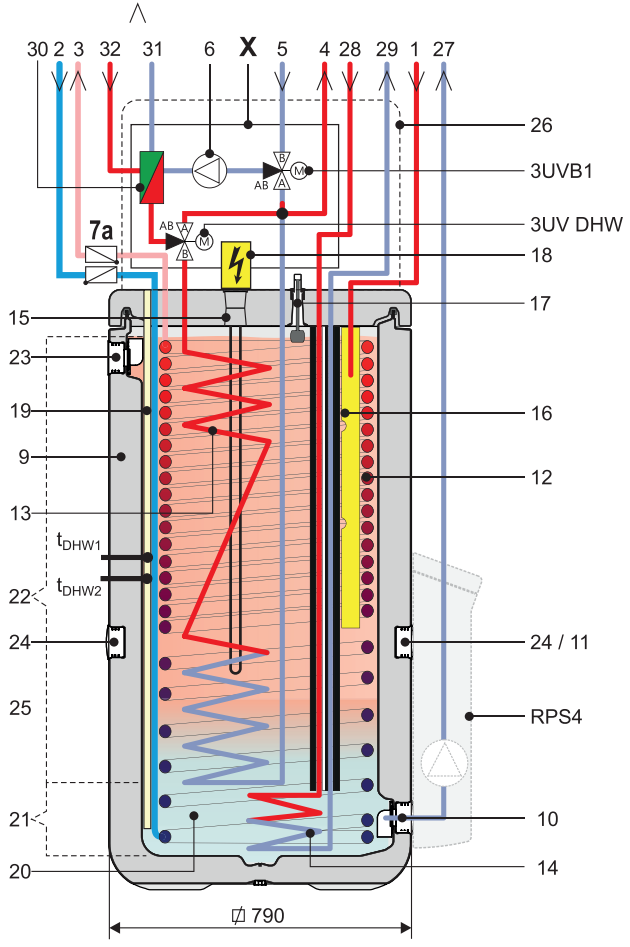
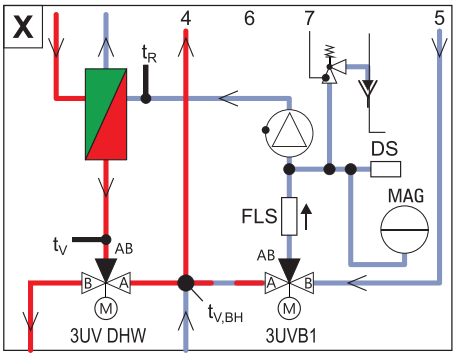


RHSXB-D, RHSX-D, EHSXB-D, EHSX-D, EHSXB-D, EHSX-D
standard 500 Litres



No.	Name
1	Solar - flow or connection for additional heat source (only BIV)
2	Cold water flow
3	Hot water flow
4	Heating flow
5	Heating return
6	Circulation pump
7	Pressure relief valve
7a	Recommended accessories: non-return valves (2 pcs.)
8	Automatic fan
9	Storage tank (double walled jacket made of polypropylene with PUR hard foam heat insulation)
10	Filling and drainage connection or Solar - return flow connection
11	Mount for solar controller or handle
12	Heat exchanger (stainless steel) for drinking water heating
13	Heat exchanger (stainless steel) for storage tank charging or heating support
14	Heat exchanger (stainless steel) for pressurised solar storage tank charging
15	Connection for optional electrical Backup-Heater EKBUxx
16	Solar infeed layering pipe
17	Fill level indicator (tank water)
18	Optional: Electrical Backup-Heater (EKBUxx)
19	Submersible sensor sleeve for storage tank temperature sensor t_{DHW1} and t_{DHW2}
20	Unpressurised storage tank water
21	Solar zone
22	Hot water zone
23	Safety overflow connection
24	Mount for handle
25	Type plate
26	Protective cover
27	Solar - return
28	Solar - feed
29	Solar - return
30	Panel heat exchanger
31	Connection coolant fluid line
32	Connection to coolant gas line
3UV B1	3-way diverter valve (internal heat generator circuit)
3UV DHW	3 way diverter valve (hot water/heating)
DS	Pressure sensor
FLS	Flow sensor
t_{DHW1} , t_{DHW2}	Storage tank temperature sensor
t_R	Return flow temperature sensor
t_V	Flow temperature sensor
$t_{V,BH}$	Flow temperature sensor Backup-Heater
RoCon B1	Operating section Daikin Altherma EHS(X/H) control unit
RPS4A	Optional: DaikinSolar regulation and pump unit
MAG	Membrane expansion vessel