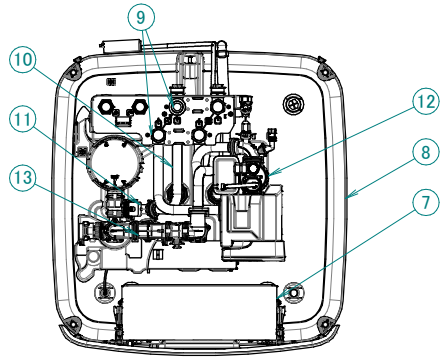
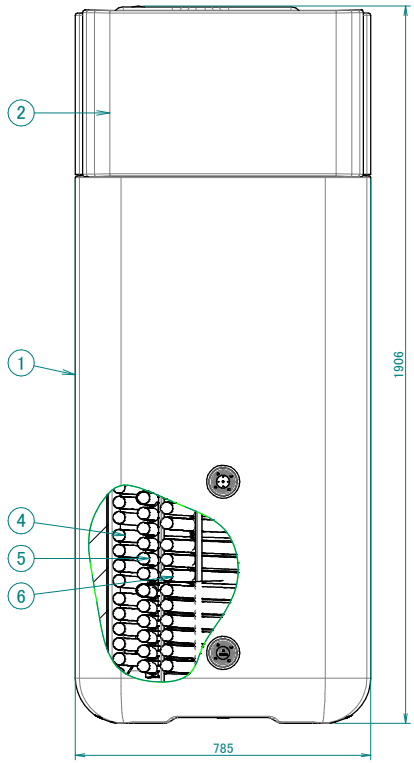
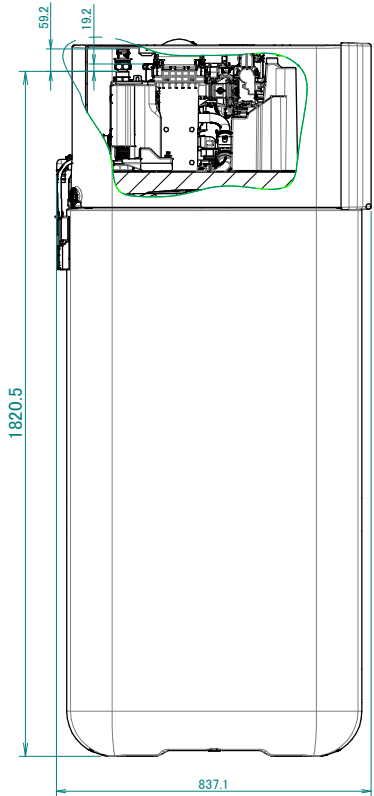


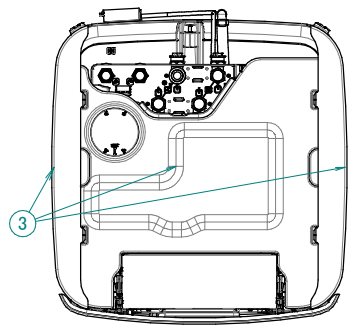
EPSX10P50A / EPSX14P50A / EPSXB10P50A / EPSXB14P50A

- ① -5XX- tank
- ② -5XX- front panel
- ③ -5XX- hood
- ④ DHW Heat exchanger
- ⑤ Load Heat exchanger
- ⑥ BIV Heat exchanger
- ⑦ Switch box
- ⑧ -5XX- tank lid
- ⑨ Outdoor unit connections
- ⑩ Hydraulics - pipes group

- ⑪ Hydraulics - backup heater group
- ⑫ Hydraulics - pump group
- ⑬ Hydraulics - valves group



Top view
Without hood



Top view