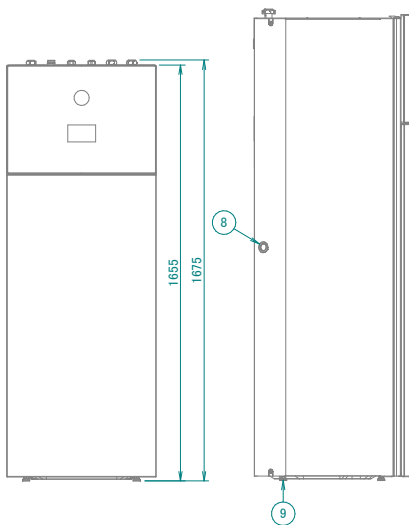
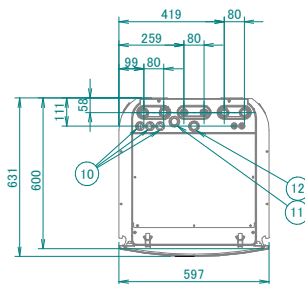
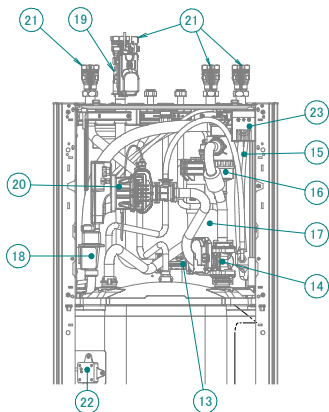
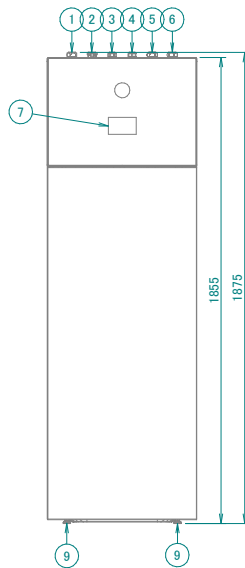


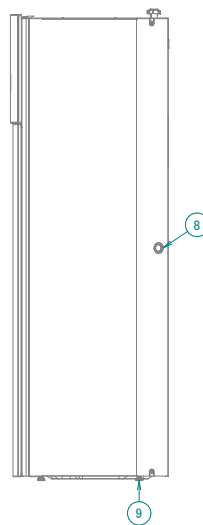
EPVX10A4V
 EPVX10A9W
 EPVX10UA4V
 EPVX14A4V
 EPVX14A9W
 EPVX14UA4V



180L



230L



- 1 Water OUT to outdoor unit
- 2 Water IN from outdoor unit
- 3 Domestic hot water: hot water out ·G3/4"· (female)
- 4 Domestic hot water: cold water in ·G3/4"·
- 5 Water OUT connection ·G1"· (female)
- 6 Water IN connection ·G1"· (female)
- 7 User interface
- 8 Drain outlet (unit + safety valve)
- 9 Levelling feet
- 10 High voltage wiring intake ·Ø24·
- 11 Low voltage wiring intake ·Ø26·
- 12 Recirculation connection ·G3/4"· (female)
- 13 Flow sensor
- 14 3-way valve
- 15 Expansion vessel
- 16 Magnetic filter / dirt separator
- 17 Backup heater
- 18 Gas separator
- 19 Shut-off valve normally closed
- 20 Pump
- 21 Shut-off valve
- 22 Gas sensor
- 23 Thermal cutout

Screws used in this unit:

