

EPVX10A4V

EPVX10A9W

EPVX10UA4V

EPVX14A4V

EPVX14A9W

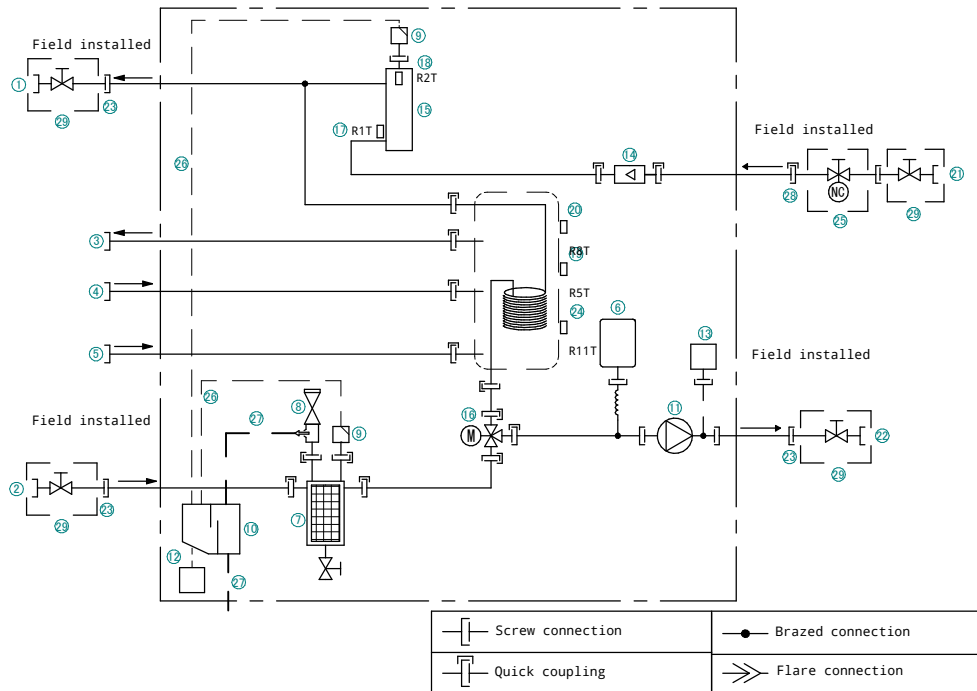
EPVX14UA4V

- ① Space heating - water OUT
- ② Space heating - water IN
- ③ Domestic hot water: hot water out ·3/4"·
- ④ Domestic hot water: cold water in ·3/4"·
- ⑤ Recirculation connection ·3/4"· (female)
- ⑥ Expansion vessel
- ⑦ Magnetic filter / dirt separator
- ⑧ Safety valve
- ⑨ Air purge
- ⑩ Gas separator
- ⑪ Pump
- ⑫ Sensor
- ⑬ Space heating water pressure sensor
- ⑭ Flow sensor
- ⑮ Backup heater
- ⑯ 3-way valve (space heating/domestic hot water)

- ⑰ R1T - Inlet water thermistor
- ⑱ R2T - Outlet water backup heater thermistor
- ⑲ R5T - Tank thermistor
- ⑳ R8T - Tank thermistor

Field piping connections

- ① Water in connection ·1"1/4·
- ② Water out connection ·1"1/4·
- ③ Screw connection ·1"·
- ④ R11T - Tank thermistor
- ⑤ Shut-off valve normally closed ··
- ⑥ Hose for air purge
- ⑦ Drain hose for water
- ⑧ Quick connection
- ⑨ Shut-off valve ·1"-1"1/4· (male-female)



3D151704A